



LIMITED WARRANTY

All COBB CUSTOM wood products are warranted for the time period set forth below, subject to the restrictions, limitations, exclusions and conditions which follow, to be free of defects which would render said wood products unserviceable or unfit for ordinary, recommended use.

The limited warranty period shall be one (1) year from invoice date for COBB CUSTOM wood products – unfinished and prehung. **All claims of error or damage must be noted at the time of receiving.** Acceptance of product implies product is damage-free.

If a COBB CUSTOM wood product does not meet the above stated standards, COBB CUSTOM will, at its discretion either repair the product, replace the product in the original condition supplied to the distributor, or refund the original purchase price paid to COBB CUSTOM for the product.

Unless otherwise expressly provided herein, COBB CUSTOM shall not pay for the cost of labor, installation or finishing of the replacement or original product or for any cost relating to the replacement of the product, all of which shall be the sole responsibility of the person making the warranty claim. All visible defects must be reported in the manner described before product or products are originally installed.

COBB CUSTOM insulated glass units will be warranted against seal failure only if installed in the unit by COBB CUSTOM and will be replaced free of charge for one (1) year.

This warranty does **not** cover breakage of glass from any cause whatsoever.

Claims under this Limited Warranty must be made in writing within the period of this warranty and prior to the beginning of any repair work to: Warranty Services, COBB CUSTOM, 1905 Riverview Drive, San Bernardino, California 92408. Claims must detail the date and location of purchase, THE NATURE OF THE PROBLEM, and the name, address and telephone number of the person making the claim. COBB CUSTOM reserves the right and must be given at least a thirty (30) day opportunity to have any product which is the subject of a warranty claim field inspected by a COBB CUSTOM representative.

THIS LIMITED WARRANTY EXTENDS ONLY TO THE ORIGINAL PURCHASER OF PRODUCTS OR TO THE ORIGINAL PURCHASER OF THE STRUCTURE INTO WHICH SUCH PRODUCTS ARE INSTALLED.

COBB CUSTOM makes no other warranty with respect to its products except as set forth above. No distributor, dealer or representative has the authority to change or modify this Limited Warranty. In no instance shall COBB CUSTOM be responsible for indirect, consequential or incidental damage.

This limited warranty gives you specific legal rights, and you may have additional rights, which vary from state to state. Some states do not allow exclusions or limitations of incidental or consequential damage, so the limitations or exclusions may not apply to you. IN SUCH CASE, THE DURATION OF ANY IMPLIED WARRANTY SHALL BE THE SAME AS THAT OF THIS LIMITED WARRANTY STATED HEREIN.

This Limited Warranty applies to all COBB CUSTOM products.

ADDITIONAL LIMITATIONS AND EXCLUSIONS

THE FOLLOWING SHALL NOT BE CONSIDERED DEFECTS IN MATERIAL OR WORKMANSHIP AND ARE NOT COVERED BY THIS LIMITED WARRANTY:

1. **Outswing doors.**
2. **Any stain (light or dark) and/or clear finishes, or dark colored paint on any COBB CUSTOM product will void warranty.**
 - a. Light colored paints (preferably white) must be used, as light-colored paints reflect sunlight, thus deterring the absorption of heat into wood. Dark paints and finishes allow the absorption of heat into the wood, thus accelerating the breakdown of the paint/finish and the possibility of damage to products.
3. Doors with wood panels more than 12" wide.
4. Water infiltration on French Combo Doors, as these doors are not designed to take on any water, especially from wind-driven rain.
5. A door which has been trimmed to expose the dowel joint. Cutting into the dowel joint voids this limited warranty. Standard COBB CUSTOM dowel doors are constructed to allow a maximum of one (1) inch to be trimmed from the bottom and one (1) inch to be trimmed from the top without exposing the dowel and voiding the warranty.
6. Failure to remove weatherstripping **prior** to painting/finishing will void warranty.
7. **Finishing is EXTREMELY important on raw and pre-primed wood products (see *Suggestions for Care & Finishing of Wood Windows & Doors*, pages 3 & 4).** Products which have not been sealed on all six sides (top, bottom, two faces and two edges) with three (3) applications of exterior grade paint AFTER trimming and hanging. Door surfaces covered by stain alone shall NOT be considered sealed. Clear finishes are not recommended for exterior use as they weather rapidly and provide poor wood protection.
8. Products that are glazed with glass and do not have both primer and finish coat paint lapping on to the glass at least 1/16". The finish should flow from the wood onto the glass 1/16" to provide assurance against water leakage and protect the glazing putty from drying out. See *Suggestions for Care & Finishing of Wood Windows & Doors*, pages 3 & 4.

~continued on back~



LIMITED WARRANTY

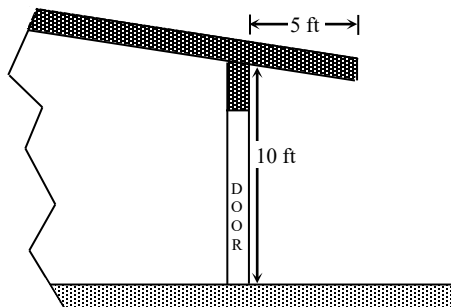
9. Products, both pre-primed and raw wood, which have not been sealed to above specifications within ten (10) days of delivery to distributor. Prior to sealing, products must be stored in a dry environment.
10. Warp shall not be considered a defect unless it exceeds 1/4" on doors up to 84" tall, or 3/8" on doors **over** 84" tall.
11. Warp for any door that is 1-3/8" thick and is wider than 36" or taller than 84".
12. Warp for any door that is 1-3/4" thick and wider than 42" or taller than 96".
13. Improperly installed products.
14. Bow or nonalignment in the frame or jamb in which the door is hung, if such is purchased from COBB CUSTOM unmachined and not prehung.
15. Any 1-3/8" door used as an exterior door.
16. External glass scratches. Must be reported upon receipt to distributor, BEFORE INSTALLATION.
17. Damage caused by others or by circumstances beyond the control of COBB CUSTOM including but not limited to damage caused by misuse, abuse, accident, or mishandling, or by fire, flood, earthquake, storm, tornado or other random acts of nature.

For the purpose of this limited warranty, misuse is defined as, but not limited to, installing a product on any side of a structure without adequate protective overhang. "Adequate overhang" depends on the direction the product faces and therefore its' potential exposure to sunlight and rain:

For NORTH, EAST AND NORTHEAST-FACING PRODUCTS adequate overhang is defined as an overhang projecting a distance one half of the measurement from the bottom of the door to the base of the overhang structure. See Example A below.

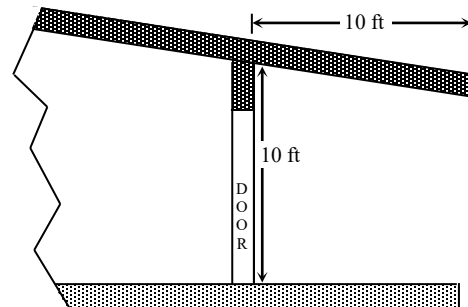
For SOUTH, WEST AND SOUTHWEST-FACING PRODUCTS adequate overhang is defined as an overhang projecting a distance equal to the measurement from the bottom of the door to the base of the overhang structure. See Example B below.

In addition to the correct overhang projection above, the overhang must extend out to each side of the door a minimum distance of one foot. These requirements must be met to qualify for warranty coverage.



Example A

Adequate Overhang for North, East and Northeast Exposures



Example B

Adequate Overhang for South, West and Southwest Exposures

18. Failure to perform normal homeowner maintenance as described in COBB CUSTOM *Suggestions for Care & Finishing of Wood Windows & Doors*.
19. Attempts by persons other than authorized COBB CUSTOM representatives to repair COBB CUSTOM products.
20. Surface checks which are less than 1/32" wide and/or 2" tall. Panel movement (shrinkage) of 1/8" or less. Temperature and humidity may cause wood panels in your door to shrink, leaving an unfinished line along the panel edge.
21. Natural variations in wood color, texture and/or grain pattern. The appearance of a finished product is not guaranteed after finishing.
22. If the claimed nonconformity is warp, COBB CUSTOM may defer repairing or replacing the product for a period of up to twelve (12) months from the date of claim or the date when the product was installed, as it is not uncommon for a temporary warp condition to occur as doors adjust to local humidity and temperature conditions. This deferral will not be counted against this limited warranty period.