

CAD Drawings

Cobb Custom Window & Door Products

PDF Format

■ Casement Windows	
Crank Out Single Casement	3
Crank Out Rabbeted Casement	5
Inswing Single Casement	7
Push Out Single Casement	9
■ Fixed Window	11
■ Double Hung Windows	
Jambliner Double Hung	13
Hidden Balance Double Hung	15
■ Sliding Window	17
■ Awning Window	
Crank Out	19
■ Servery Awning Window	
3 Sided Jamb (No Bottom Jamb)	21
Fullbound Jamb.....	24
Flat Sill	27
■ Hopper	30
■ Transoms	
Set Out	32
Set In	34
■ Sliding Doors	
2 Panel Sliding Door	36
■ Swinging Doors	
Inswing Door	38

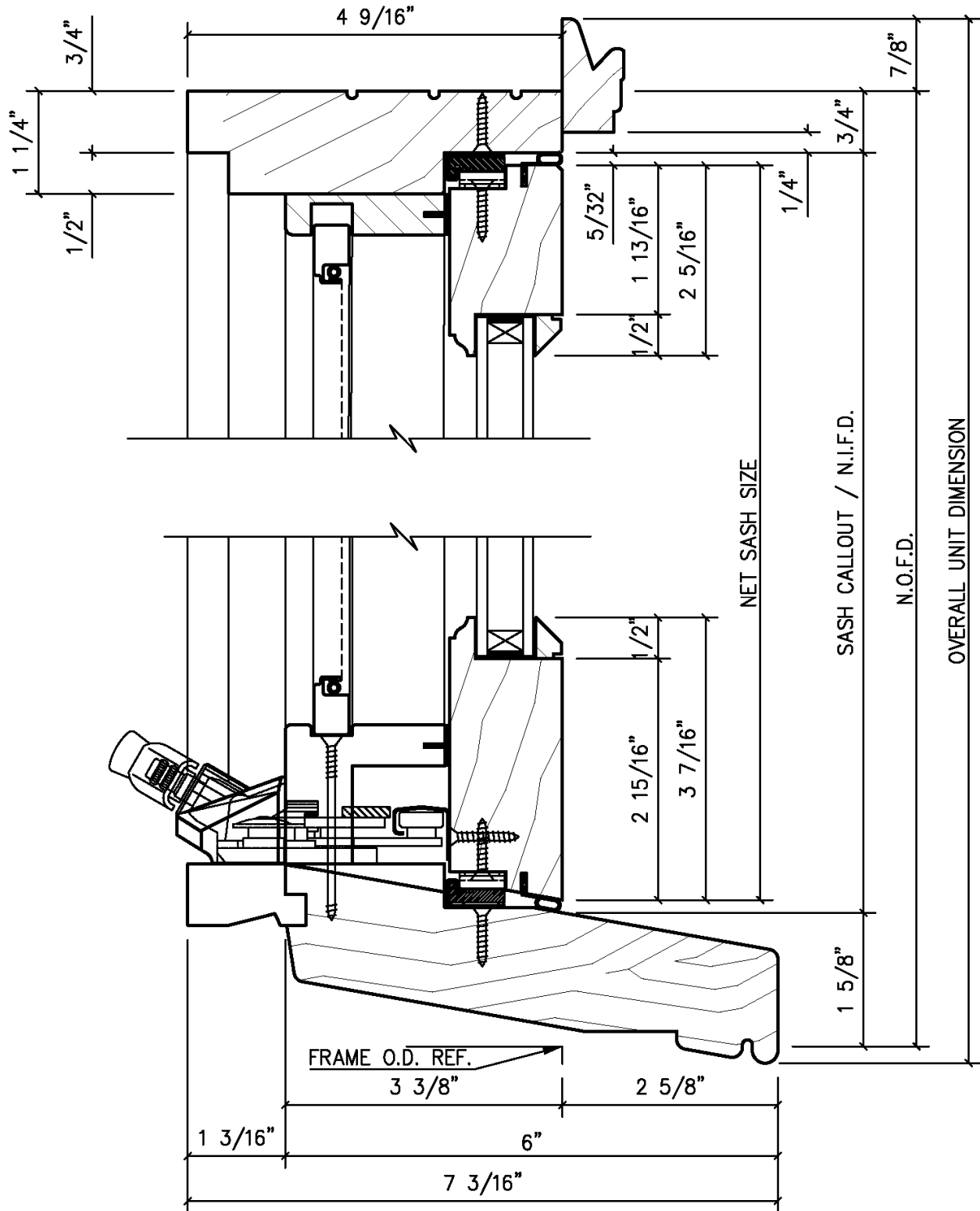
**Please Note: These are the architectural details of most of our standard Title 24 products.

- Dutch Doors
 - Inswing Dutch Door 42
 - Standard Dutch Shelf 44
- Sidelites
 - Fixed Sidelite 47
 - Crank Out Sidelite 49
 - Direct Set Sidelite 51
- Sill Options
 - Window Sills 53
 - Door Sills 54
- TDL & SDL Sticking & Stop Profile Options 55
- Panel Profile Options 56
- Raised Moulding Options 57
- Exterior Moulding Options 58

**Please Note: These are the architectural details of most of our standard Title 24 products.

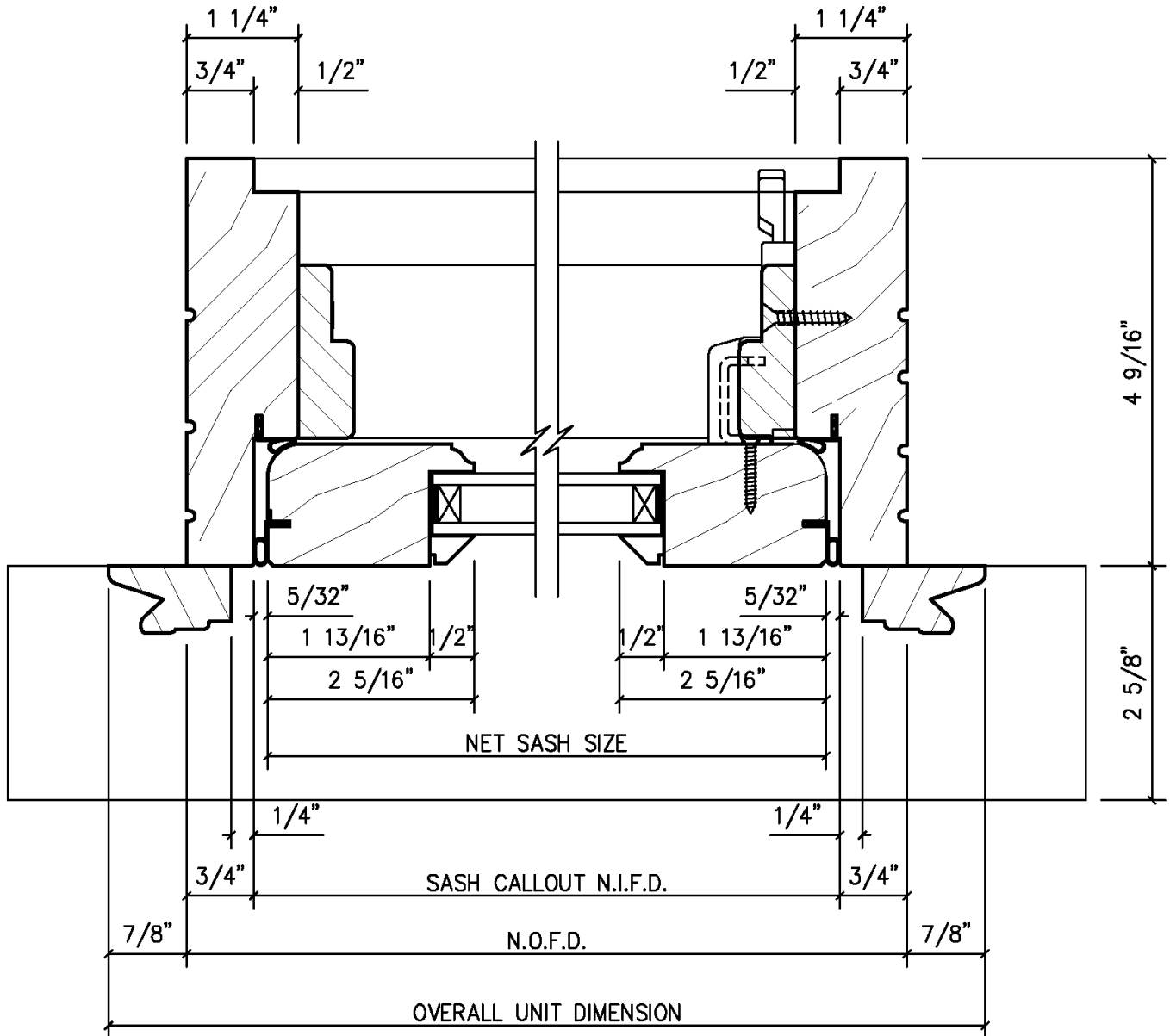


CASEMENT SWING OUT VERTICAL SECTION





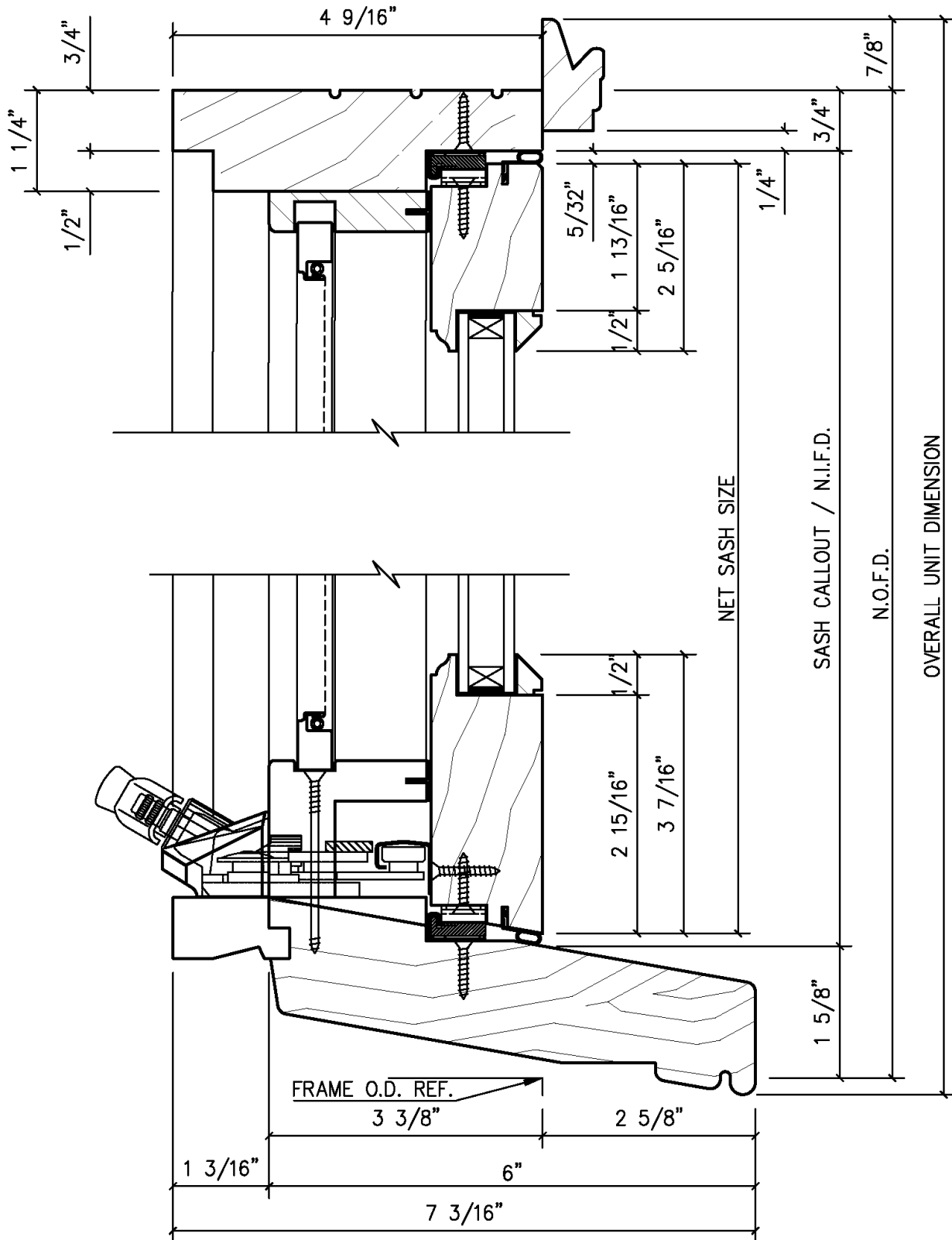
CASEMENT SWING OUT HORIZONTAL SECTION





CASEMENT – RABBIT PAIR

VERTICAL SECTION

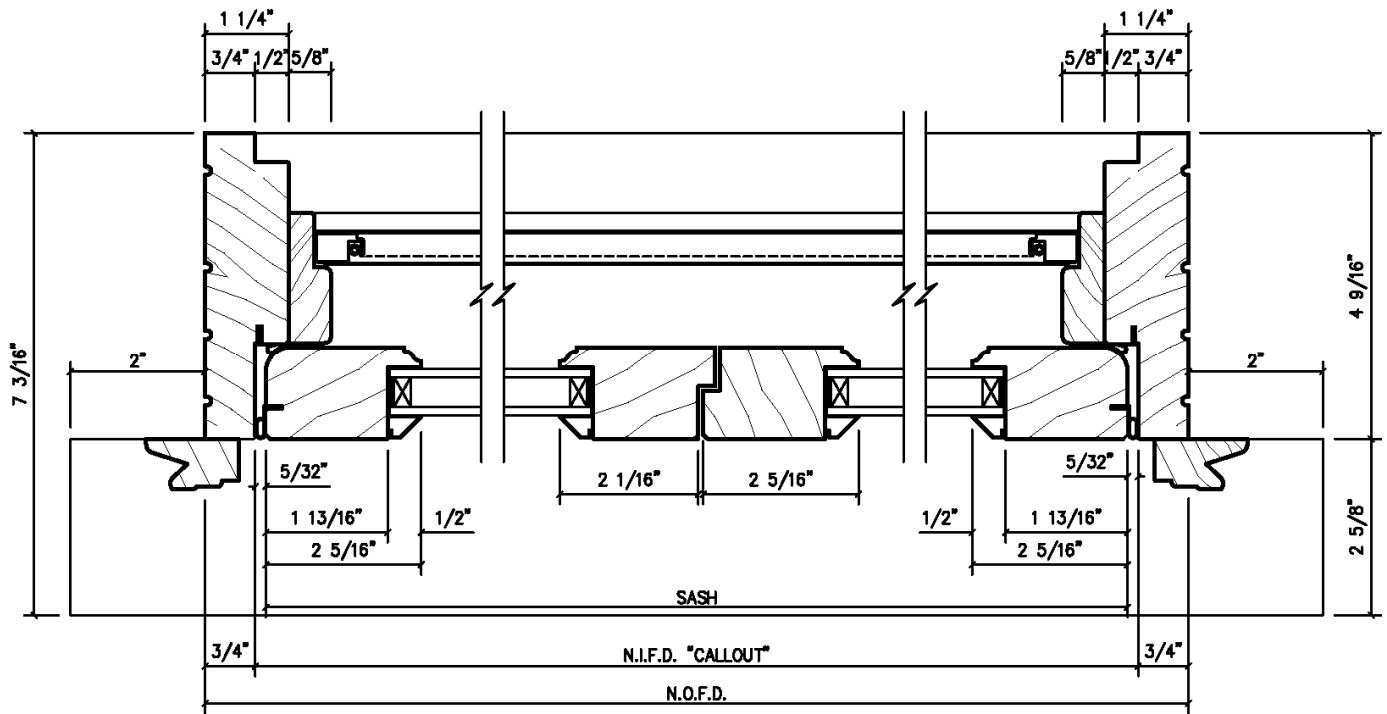


Drawings & Specifications contain confidential information that are the property of Cobb Custom Millwork Division and may not be reproduced or used without written permission by the Owner



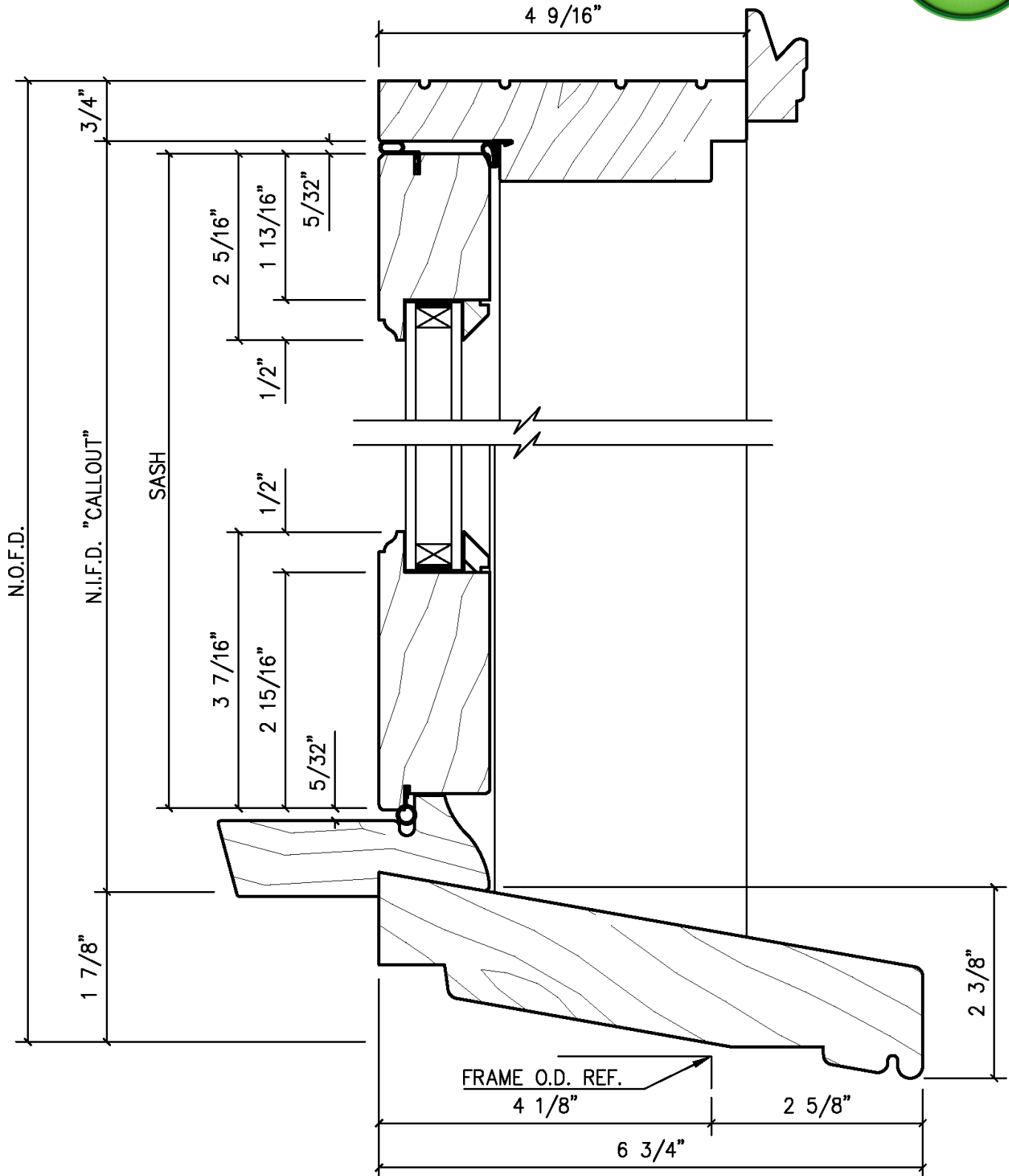
CASEMENT – RABBIT PAIR

HORIZONTAL SECTION





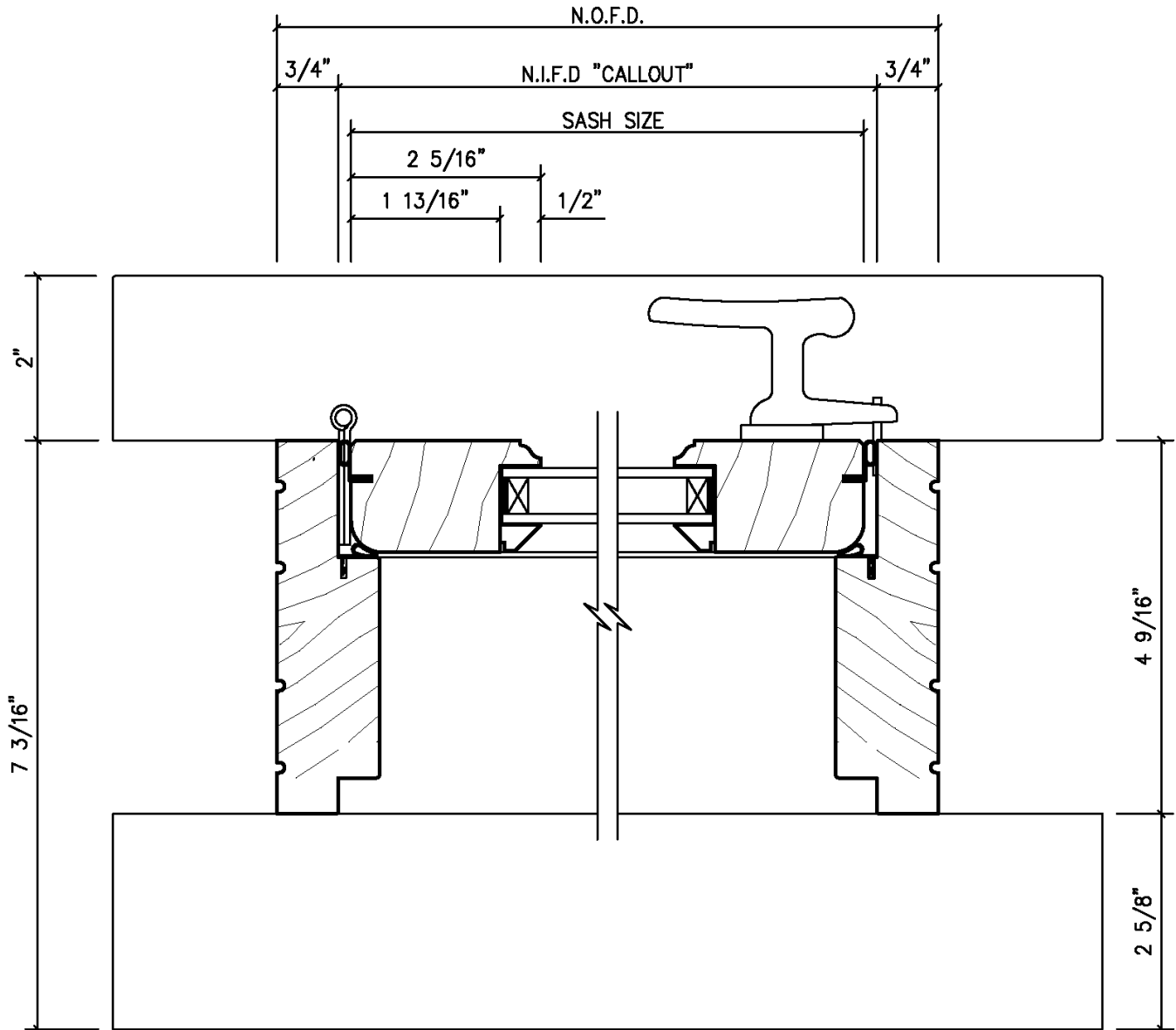
CASEMENT SWING IN VERTICAL SECTION



Drawings & Specifications contain confidential information that are the property of Cobb Custom Millwork Division and may not be reproduced or used without written permission by the Owner

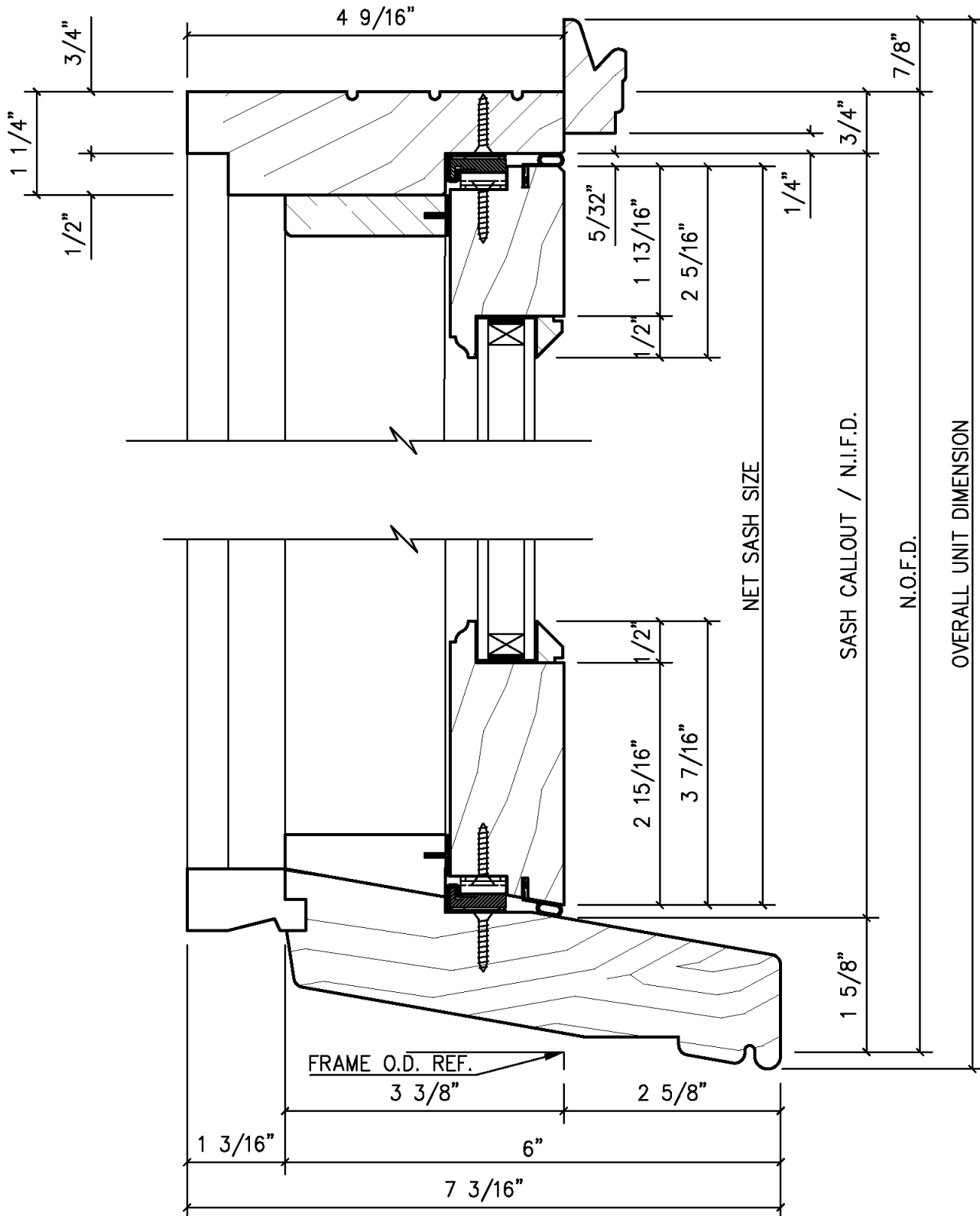


CASEMENT SWING IN HORIZONTAL SECTION





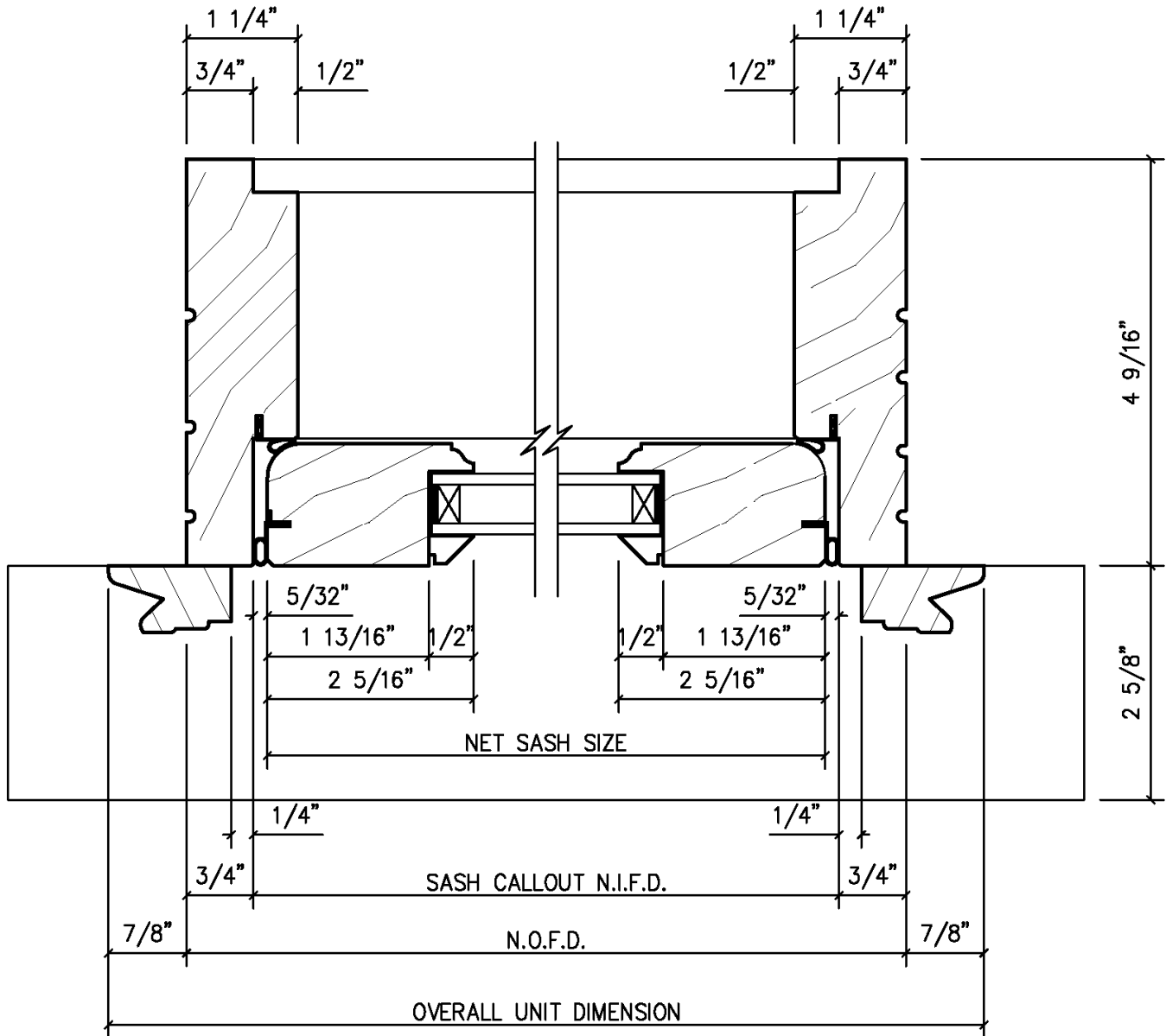
CASEMENT PUSH OUT VERTICAL SECTION



Drawings & Specifications contain confidential information that are the property of Cobb Custom Millwork Division and may not be reproduced or used without written permission by the Owner

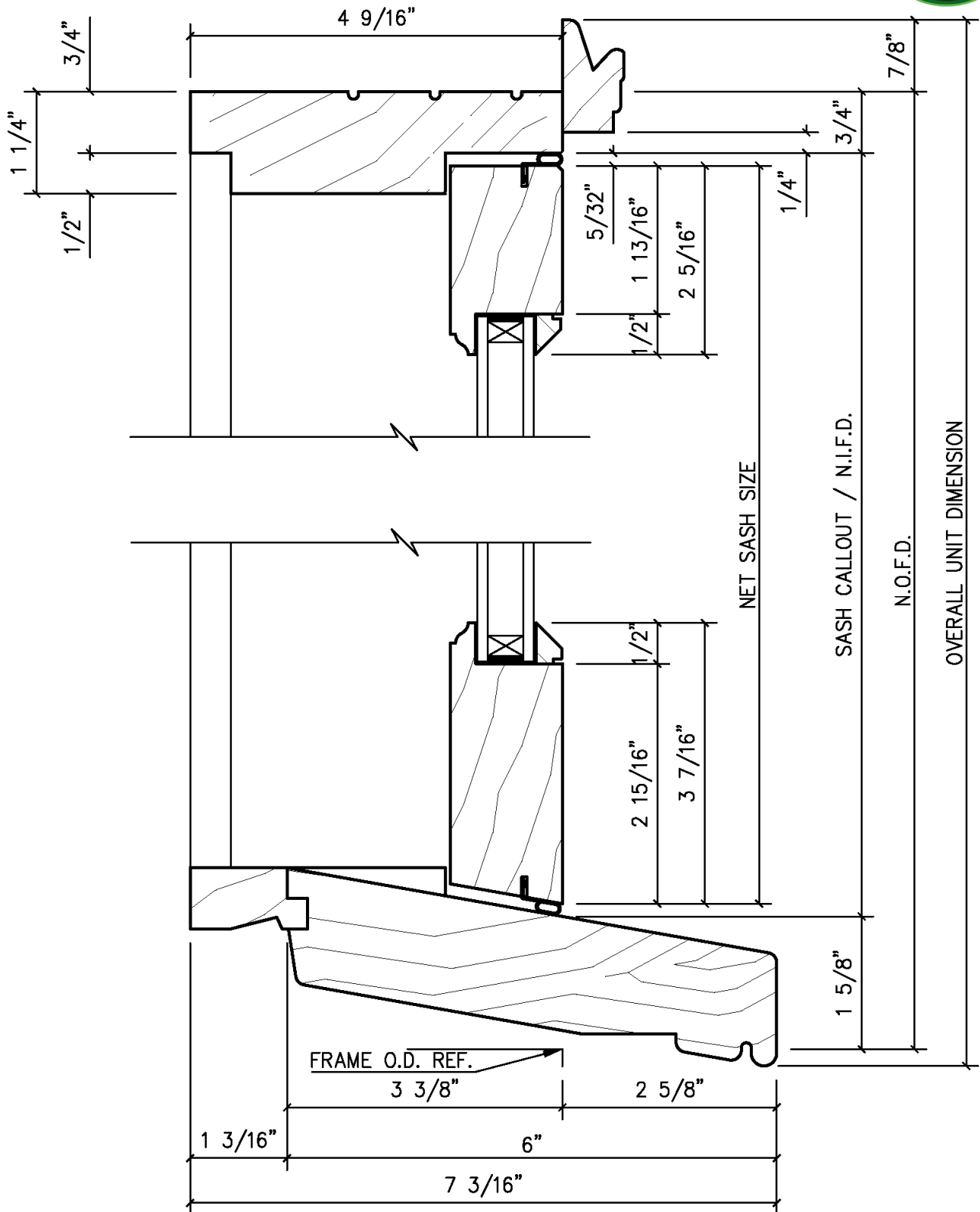


CASEMENT PUSH OUT HORIZONTAL SECTION



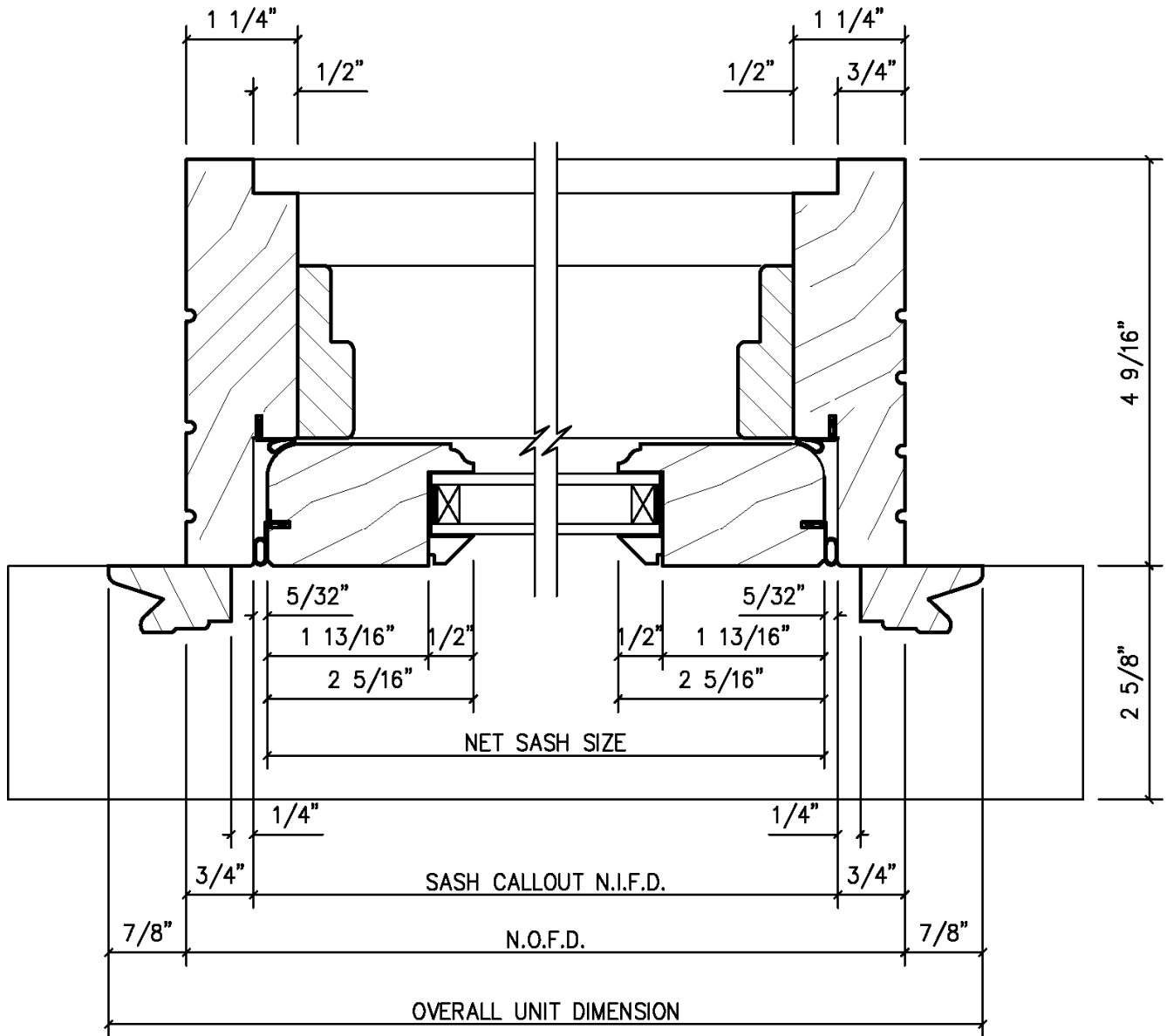


CASEMENT FIXED VERTICAL SECTION





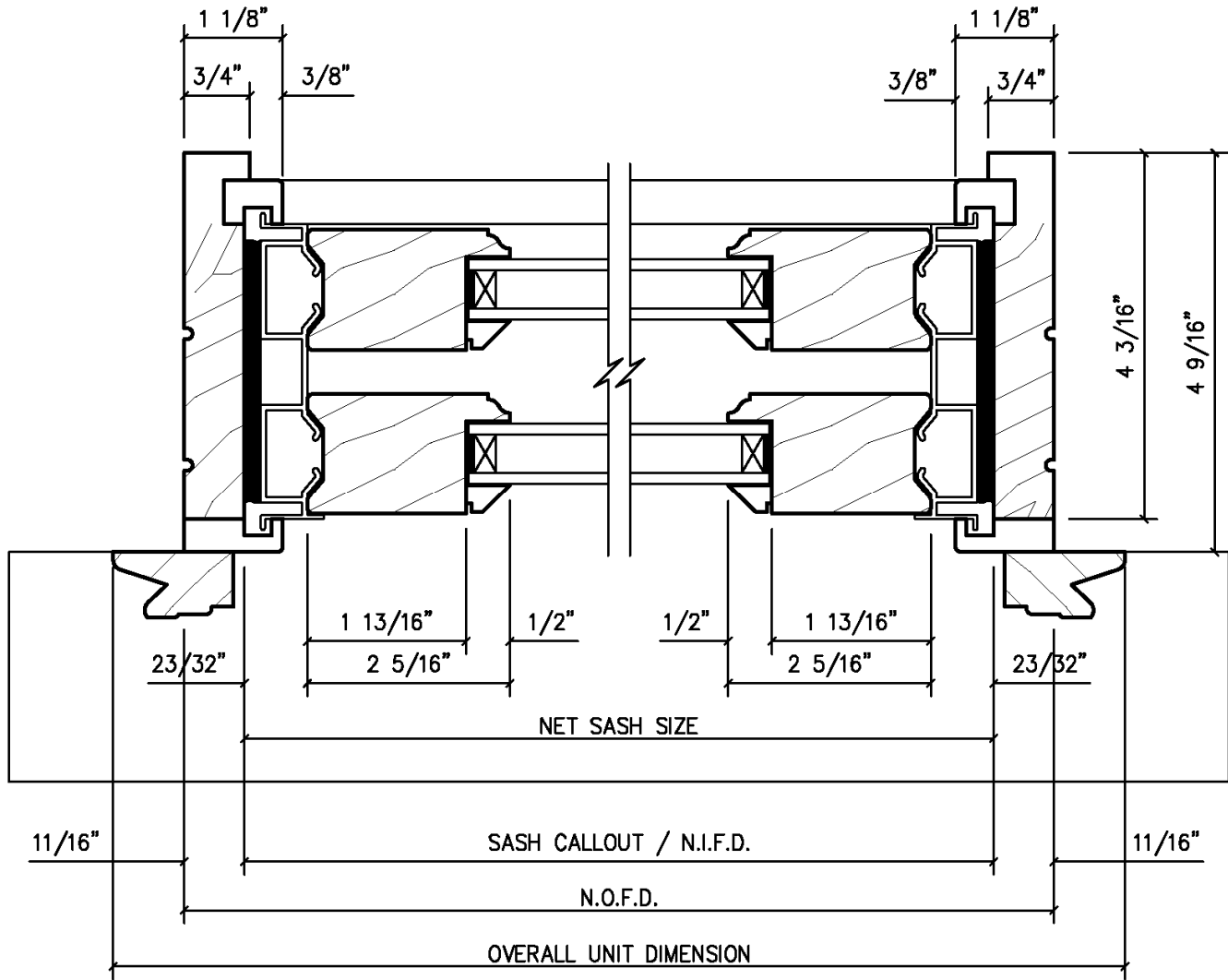
CASEMENT FIXED HORIZONTAL SECTION





DOUBLE HUNG - JAMBLINER

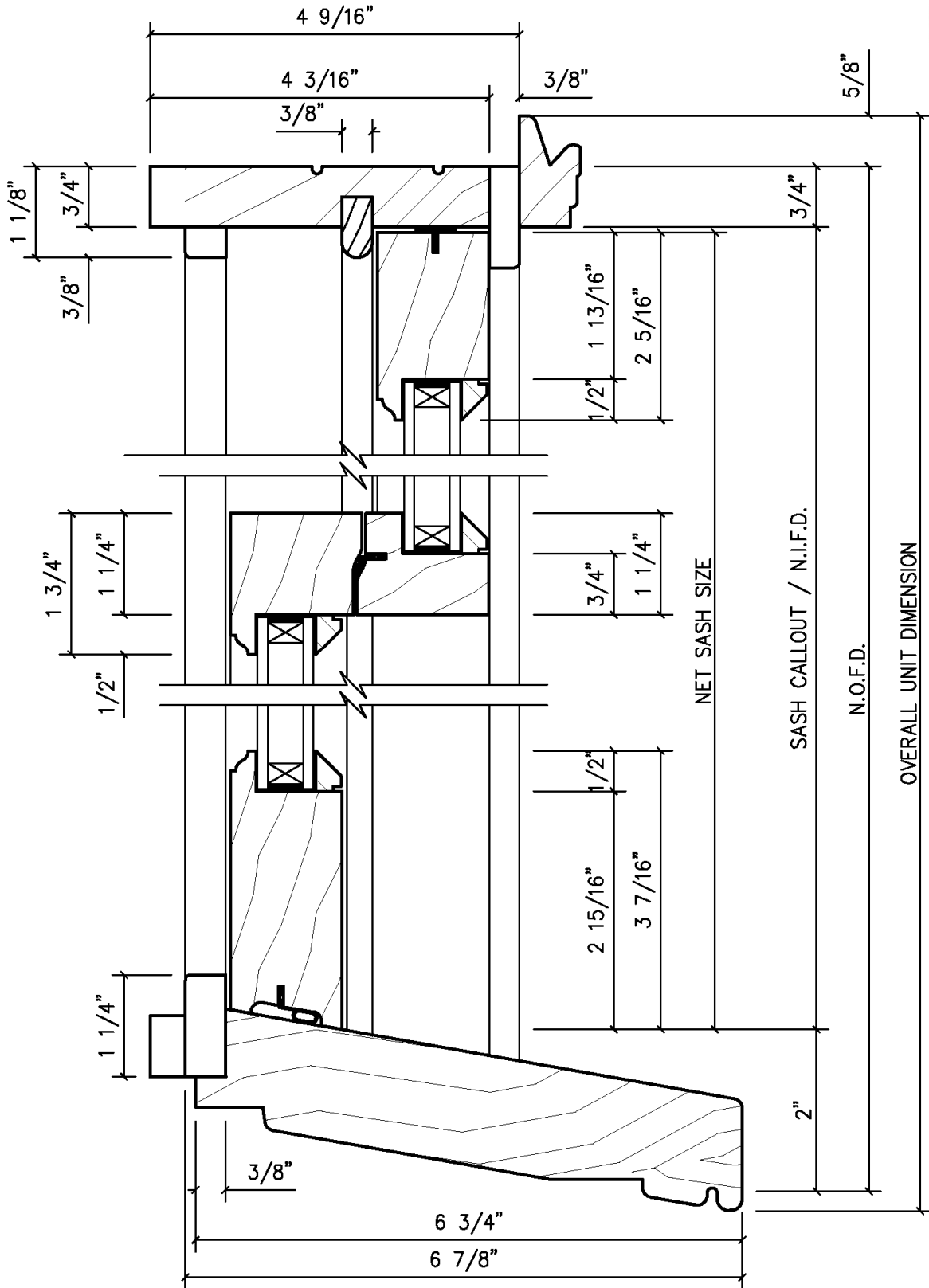
HORIZONTAL SECTION





DOUBLE HUNG – HIDDEN BALANCE

VERTICAL SECTION

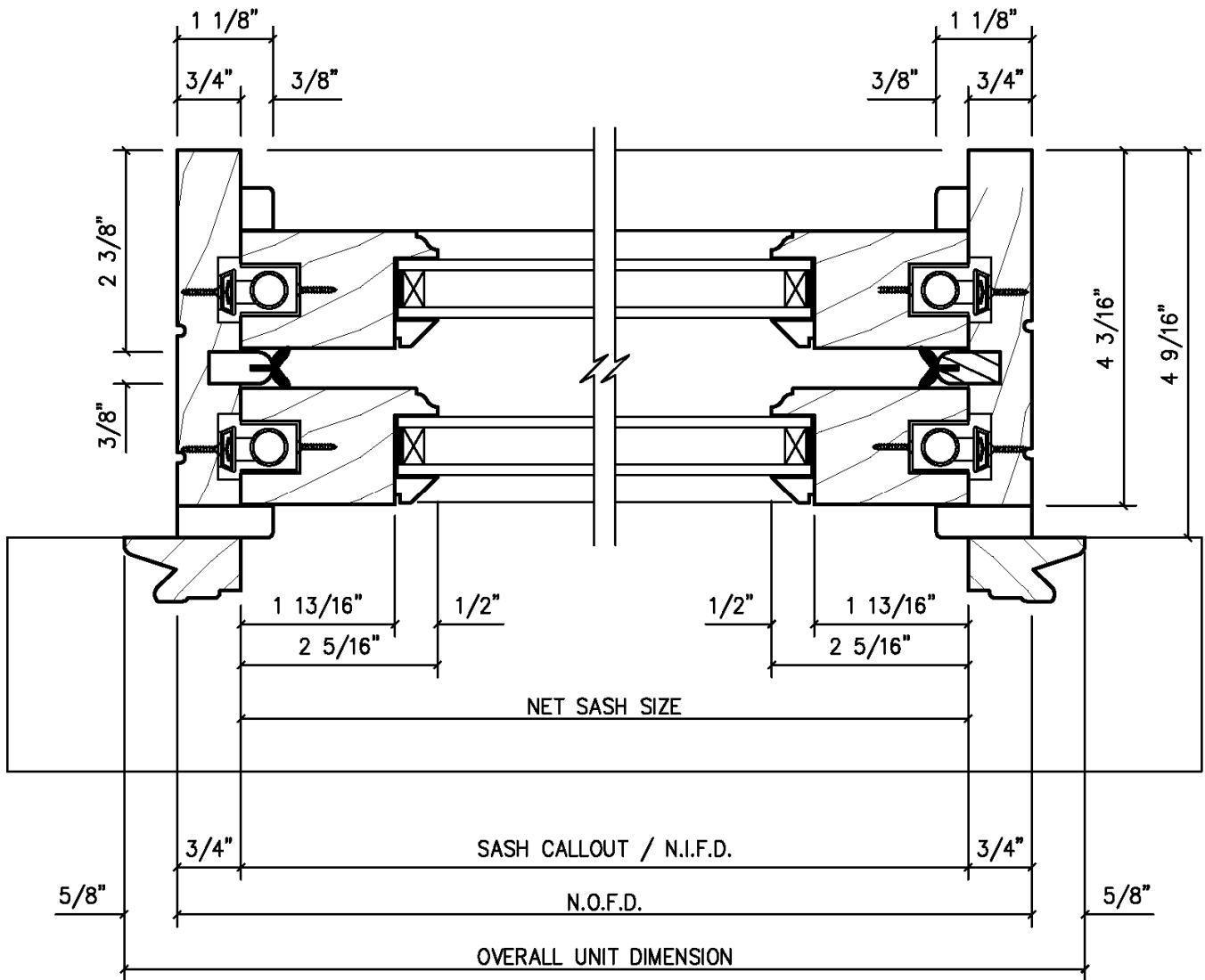


Drawings & Specifications contain confidential information that are the property of Cobb Custom Millwork Division and may not be reproduced or used without written permission by the Owner



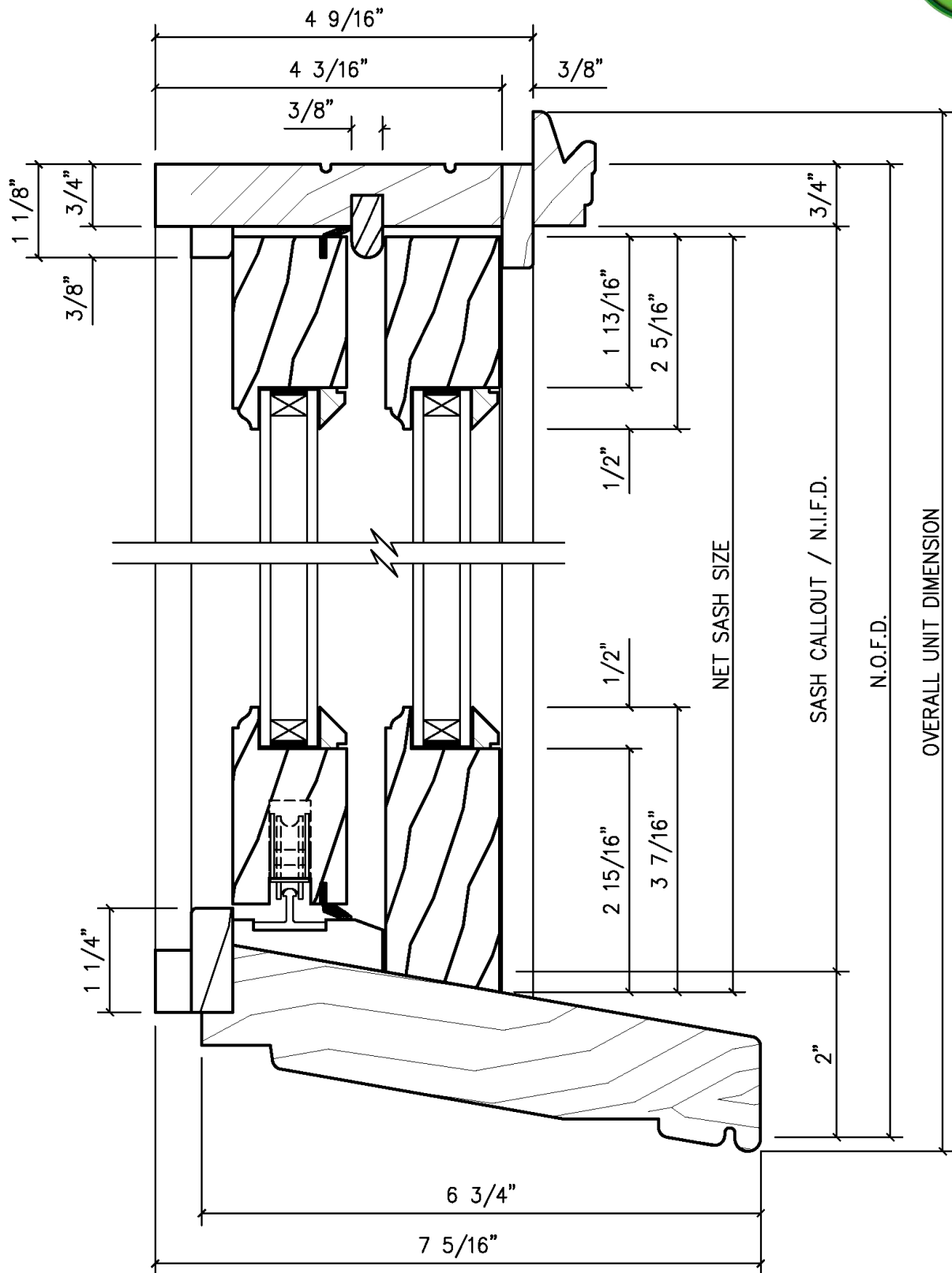
DOUBLE HUNG – HIDDEN BALANCE

HORIZONTAL SECTION





HORIZONTAL SLIDER VERTICAL SECTION

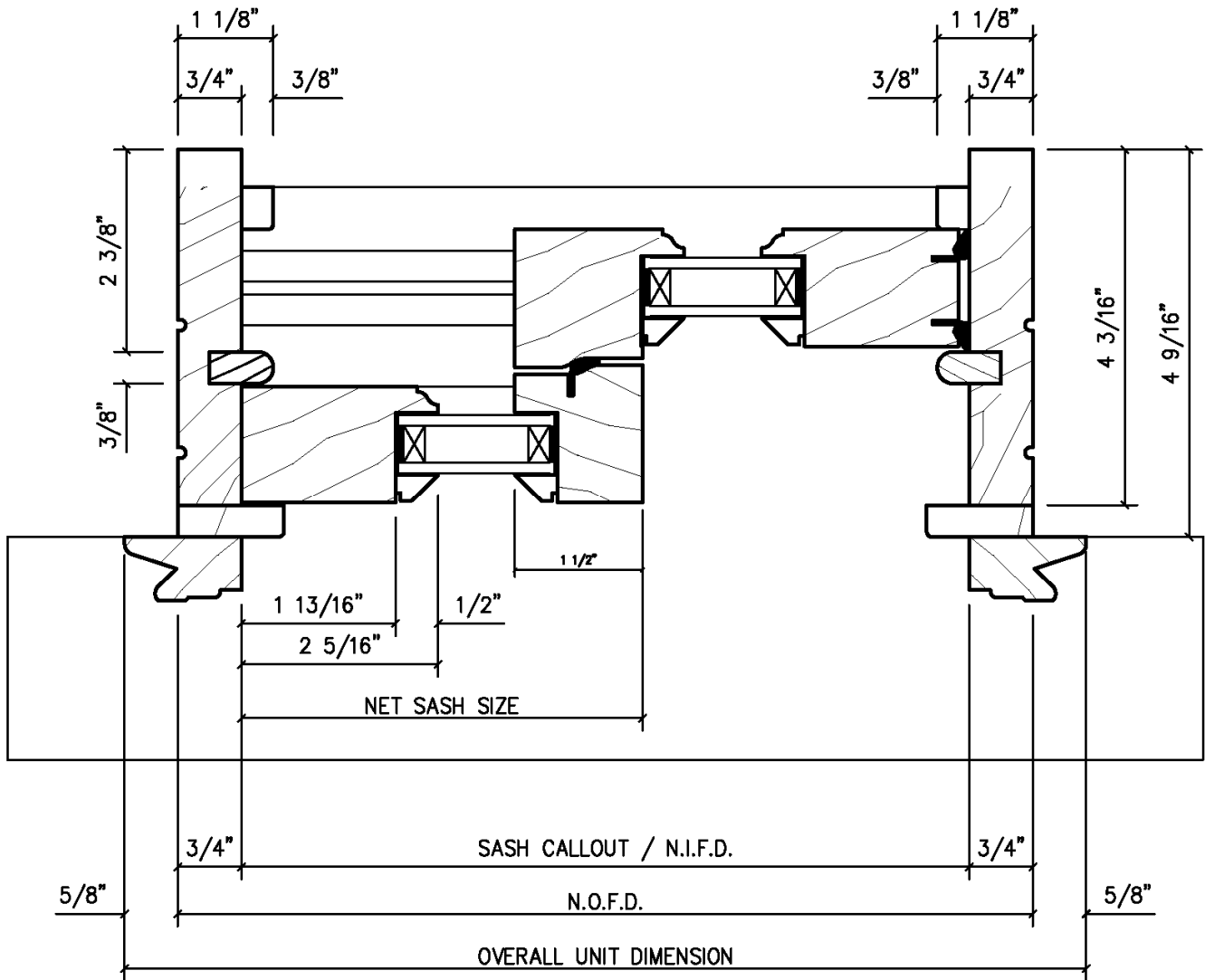


Drawings & Specifications contain confidential information that are the property of Cobb Custom Millwork Division and may not be reproduced or used without written permission by the Owner



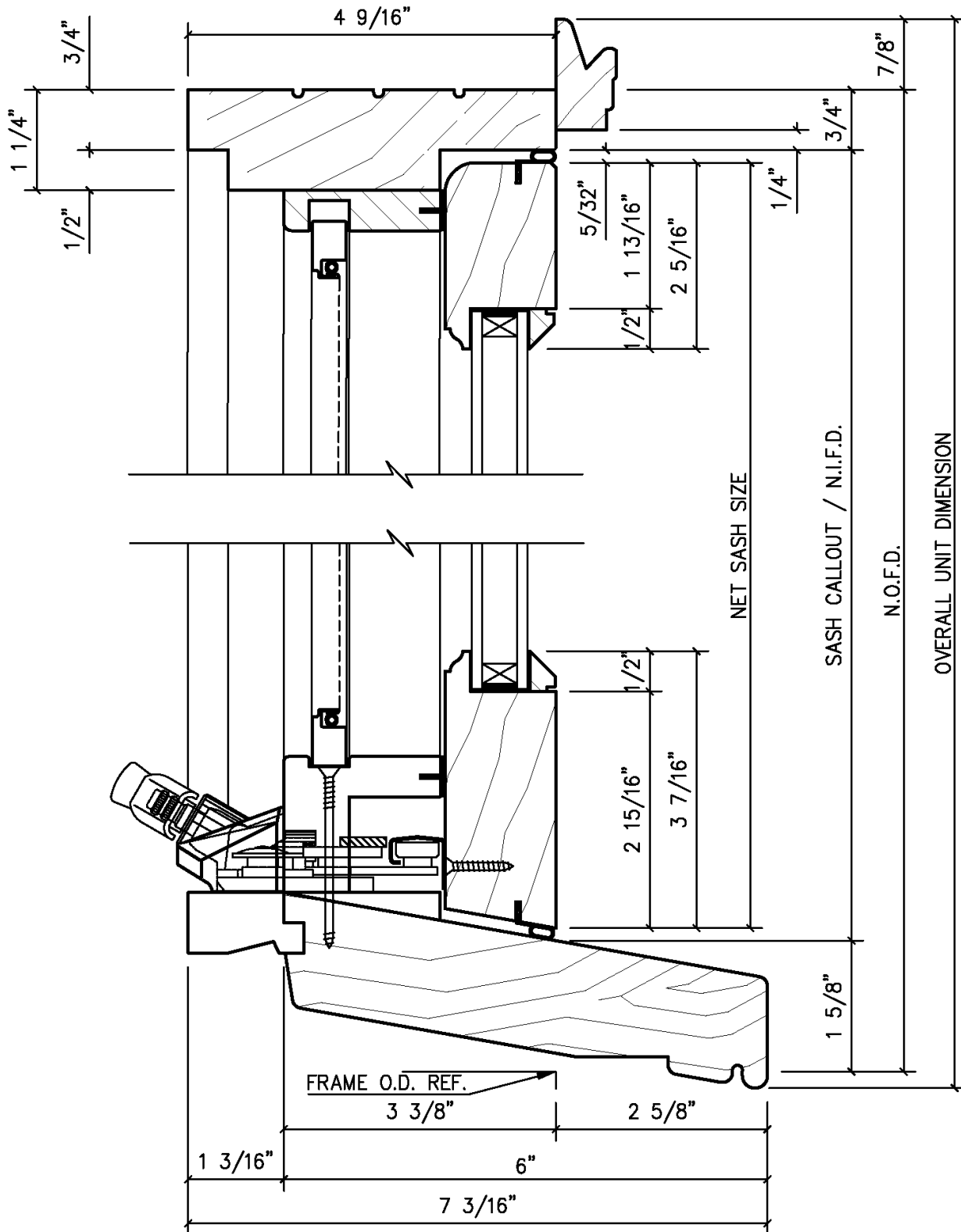
HORIZONTAL SLIDER

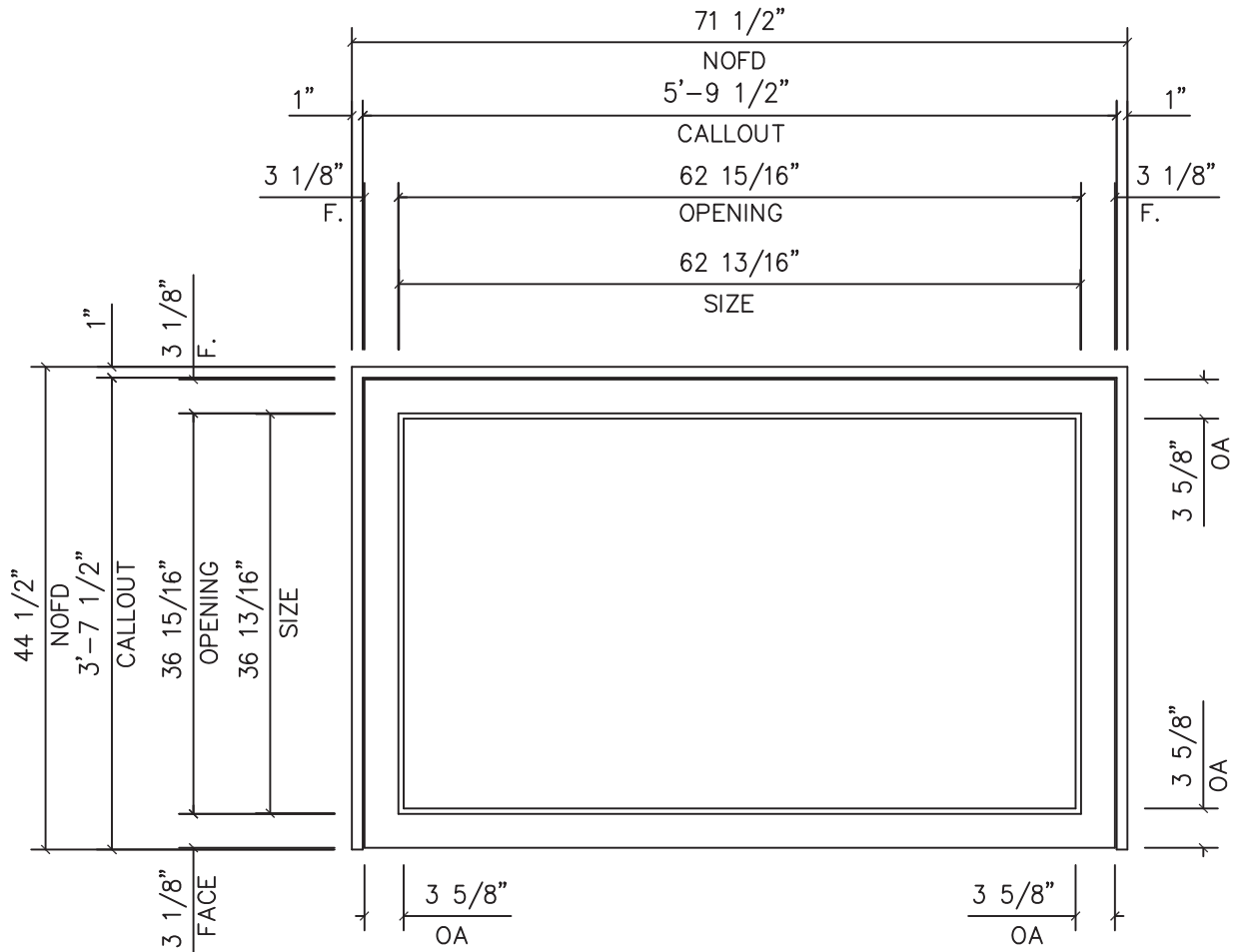
HORIZONTAL SECTION





AWNING VERTICAL SECTION





Project / Job Reference:

-



Product Line:

SERVERY WINDOW

Drawing Title:

ELEVATION VIEW

Approved By:

Date Approved:

Scale:

FULL

Work Order

Drawings & Specifications contain confidential information that are the property of T.M. Cobb Millwork Division and may not be reproduced or used without written permission by the Owner

Drawn By:

Boris Orellana

Date:

04/03/23

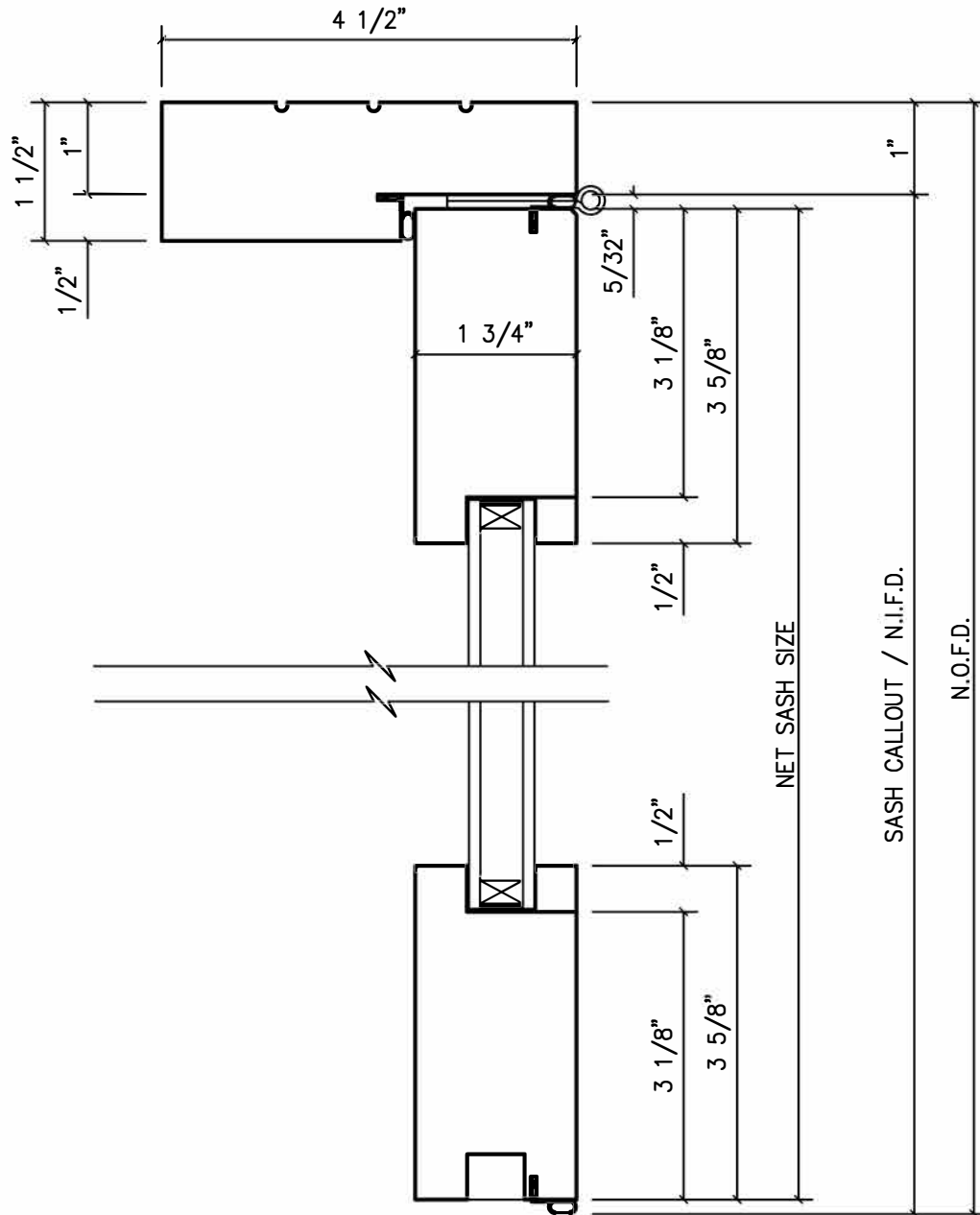
Directory:

TMCobb\Orders

File Name:

SERVERY WINDOW

A1



Project / Job Reference:

-



Product Line:

SERVERY WINDOW

Drawing Title:

VERTICAL SECTION

Approved By:

Date Approved:

Scale:

FULL

Work Order

Drawings & Specifications contain confidential information that are the property of T.M. Cobb Millwork Division and may not be reproduced or used without written permission by the Owner

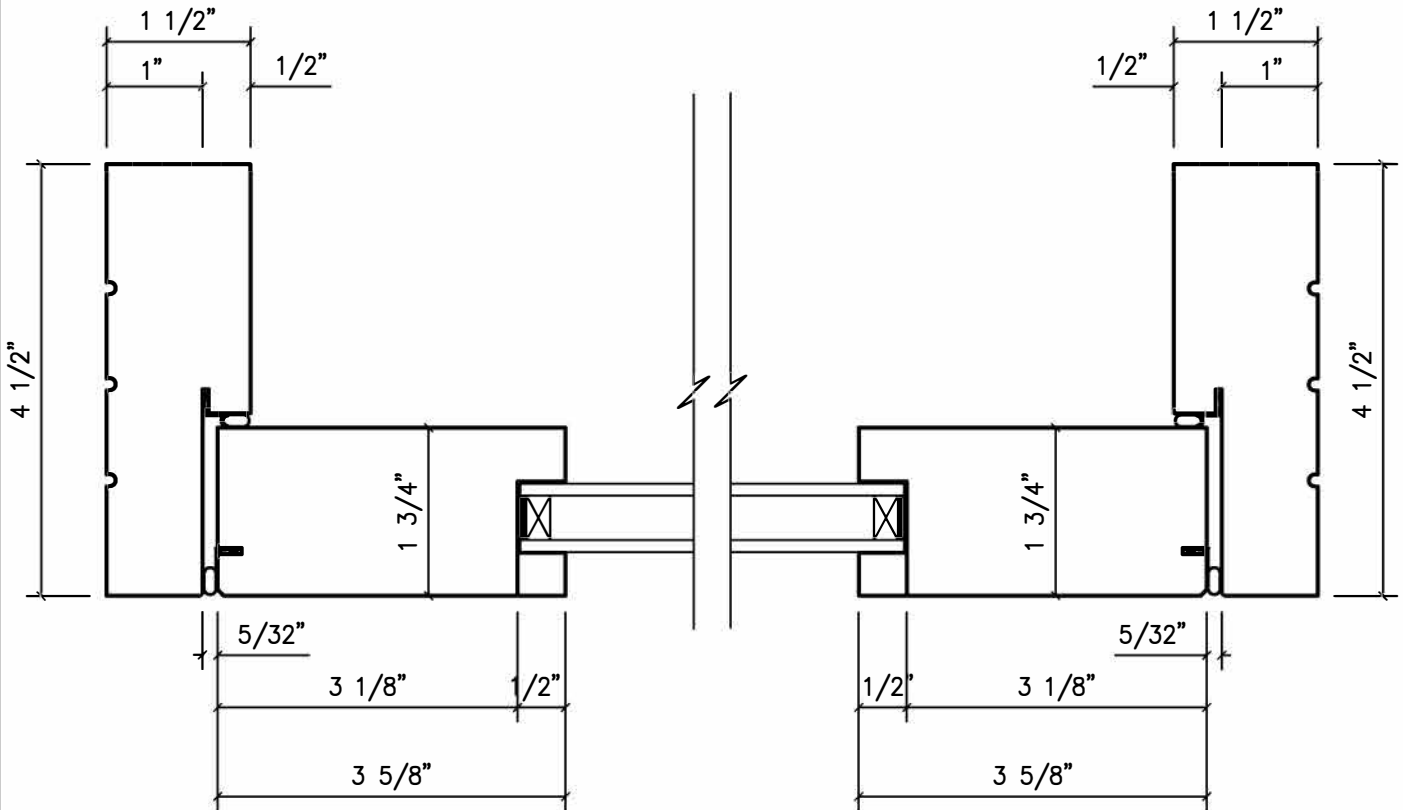
Drawn By: Boris Orellana

Date: 04/03/23

Directory: TMCobb\Orders

File Name: SERVERY WINDOW

A1



Project / Job Reference:

-



Product Line:

SERVERY WINDOW

Drawing Title:

HORIZONTAL SECTION

Approved By:

Date Approved:

Scale:

FULL

Work Order

Drawings & Specifications contain confidential information that are the property of T.M. Cobb Millwork Division and may not be reproduced or used without written permission by the Owner

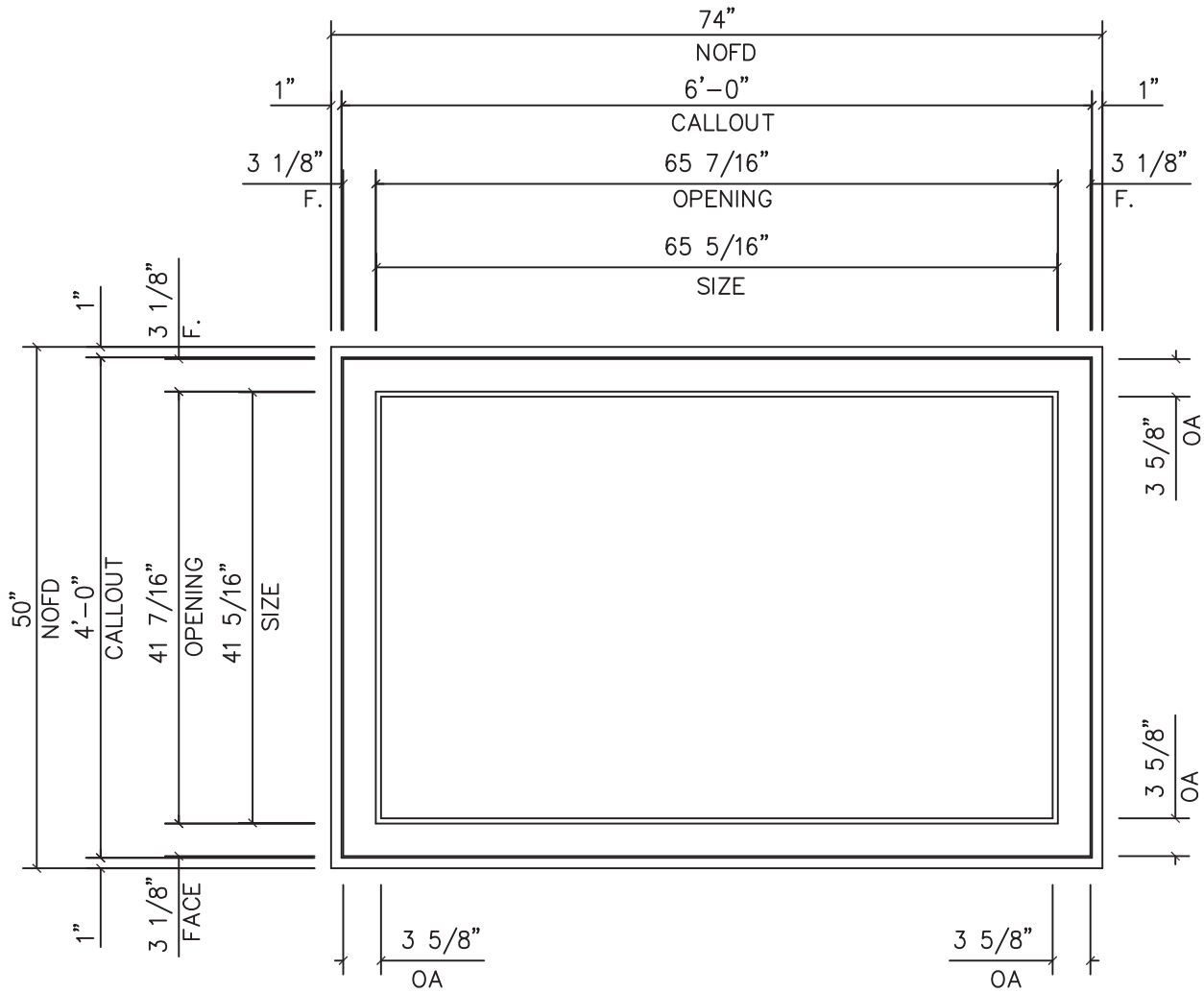
Drawn By: Boris Orellana

Date: 04/03/23

A1

Directory: TMCobb\Orders

File Name: SERVERY WINDOW



Project / Job Reference:

-



Product Line:

SERVERY WINDOW

Drawing Title:

ELEVATION VIEW

Approved By:

Date Approved:

Scale:

FULL

Work Order

Drawings & Specifications contain confidential information that are the property of T.M. Cobb Millwork Division and may not be reproduced or used without written permission by the Owner

Drawn By:

Boris Orellana

Date:

04/03/23

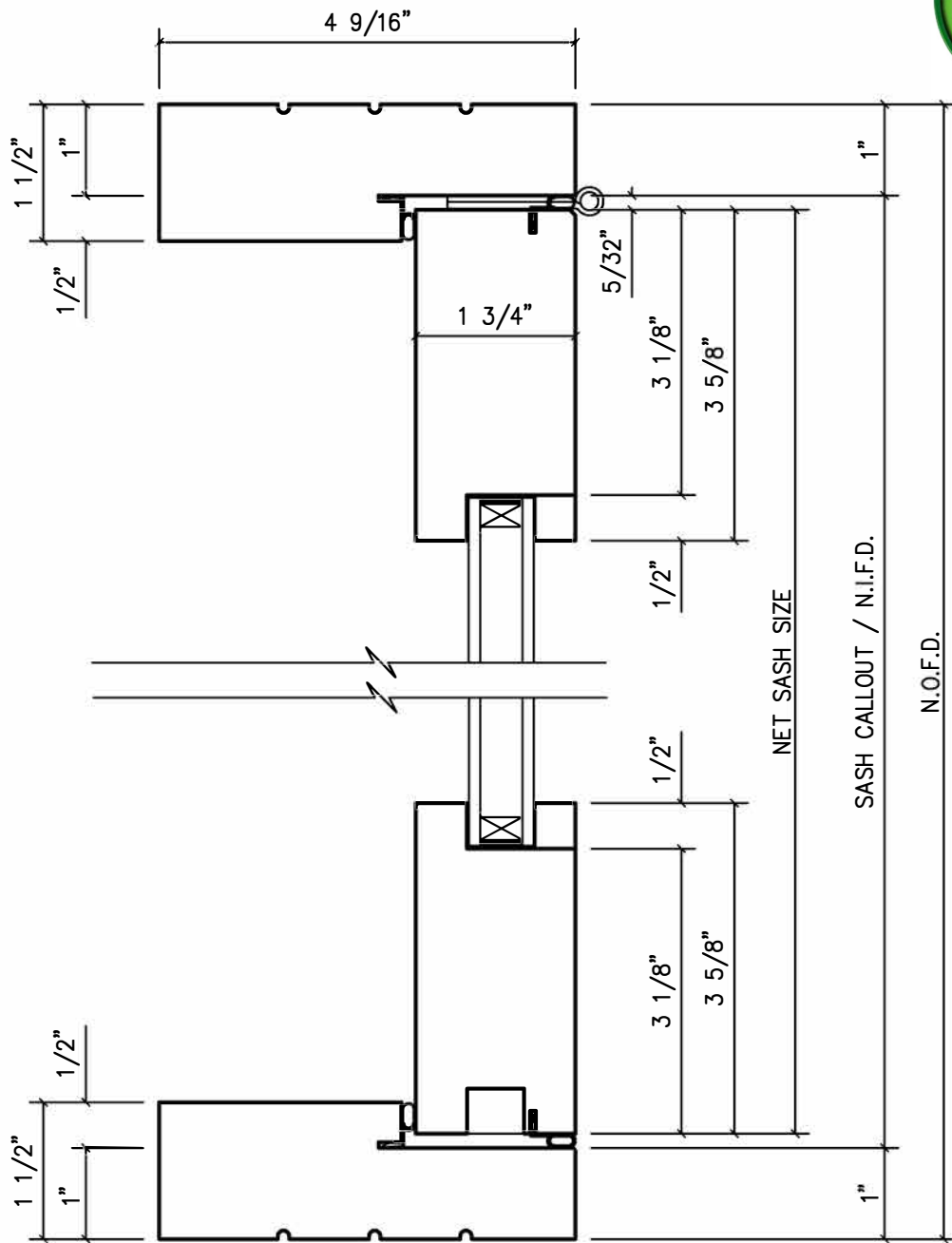
Directory:

TMCobb\Orders

File Name:

SERVERY WINDOW

A1



Project / Job Reference:

-



COBB CUSTOM

Product Line:

SERVERY WINDOW

Drawing Title:

VERTICAL SECTION

Approved By:

Date Approved:

Scale:

FULL

Work Order

Drawings & Specifications contain confidential information that are the property of T.M. Cobb Millwork Division and may not be reproduced or used without written permission by the Owner

Drawn By:

Boris Orellana

Date:

04/03/23

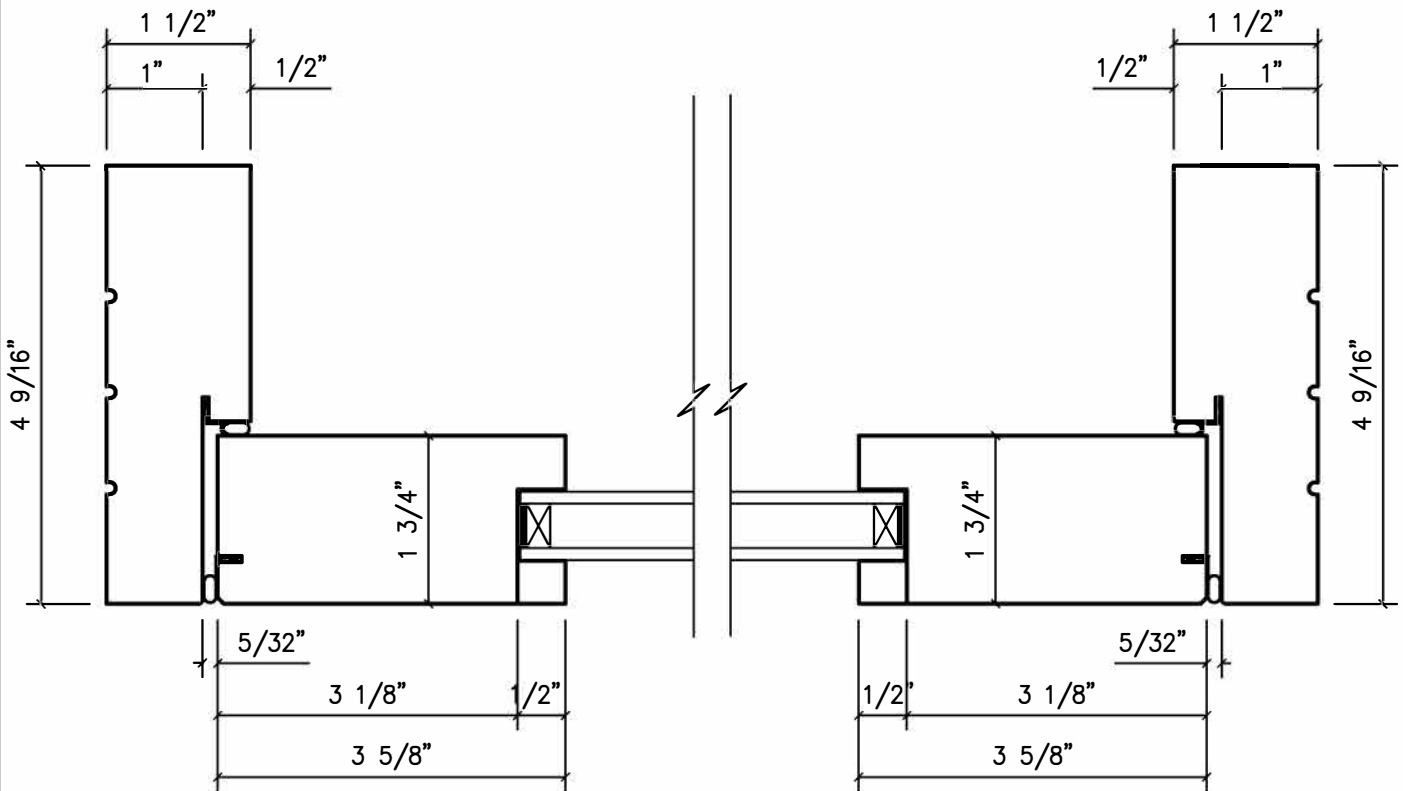
Directory:

TMCobb\Orders

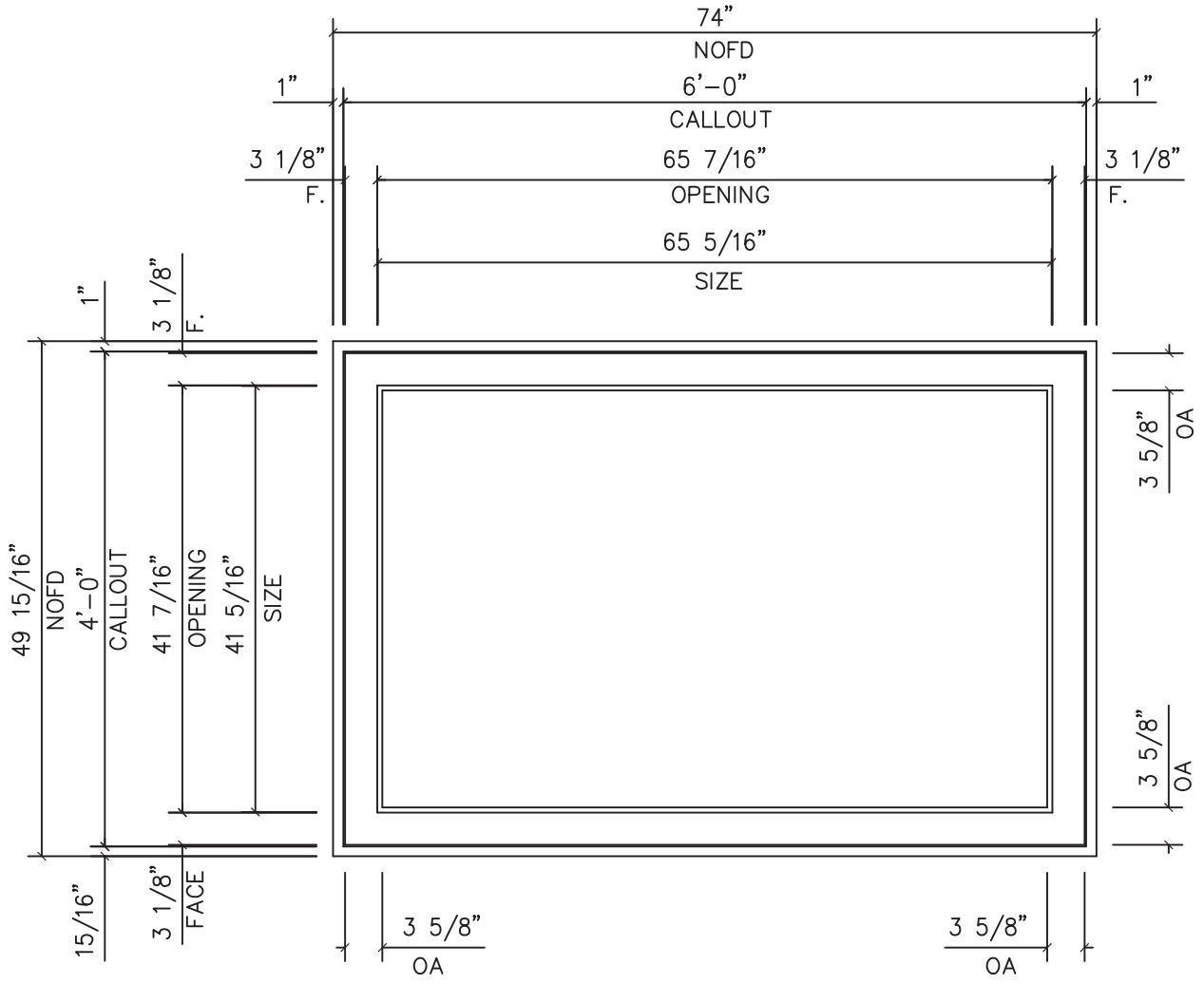
File Name:

SERVERY WINDOW

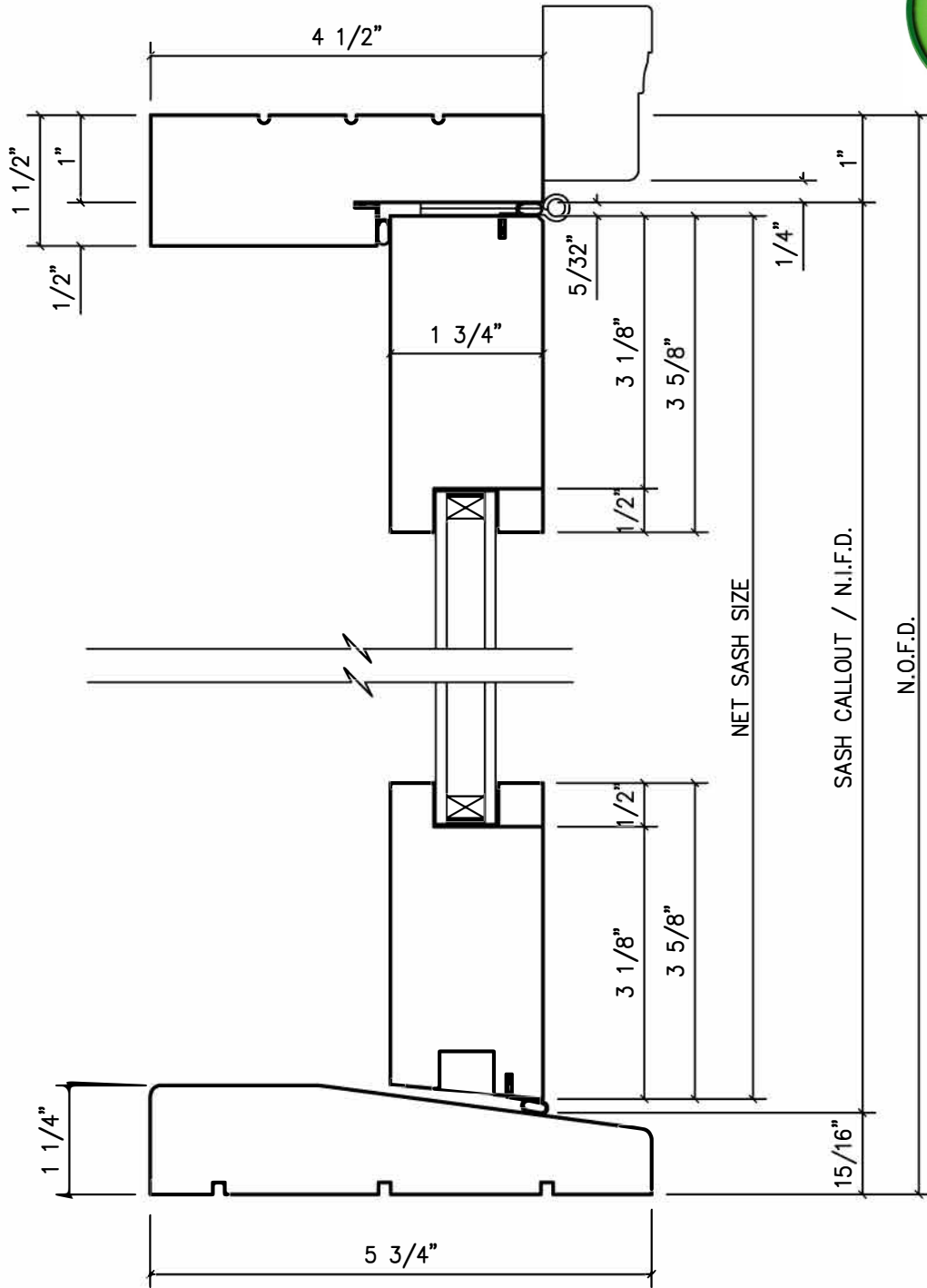
A1



Project / Job Reference:			
Product Line: SERVERY WINDOW			
Approved By:	Date Approved:	Scale: FULL	Work Order
Drawings & Specifications contain confidential information that are the property of T.M. Cobb Millwork Division and may not be reproduced or used without written permission by the Owner	Drawn By: Boris Orellana	Date: 04/03/23	A1
	Directory: TMCobb\Orders	File Name: SERVERY WINDOW	



Project / Job Reference:		-					
Product Line:			Drawing Title:				
SERVERY WINDOW			ELEVATION VIEW				
Approved By:	Date Approved:	Scale:	FULL	Work Order A1			
Drawings & Specifications contain confidential information that are the property of T.M. Cobb Millwork Division and may not be reproduced or used without written permission by the Owner		Drawn By:	Boris Orellana			Date:	04/03/23
		Directory:	TMCobb\Orders			File Name:	SERVERY WINDOW



Project / Job Reference:

-



COBB CUSTOM

Product Line:

SERVERY WINDOW

Drawing Title:

HEAD / SILL SECTION

Approved By:

Date Approved:

Scale:

FULL

Work Order

Drawings & Specifications contain confidential information that are the property of T.M. Cobb Millwork Division and may not be reproduced or used without written permission by the Owner

Drawn By:

Boris Orellana

Date:

04/03/23

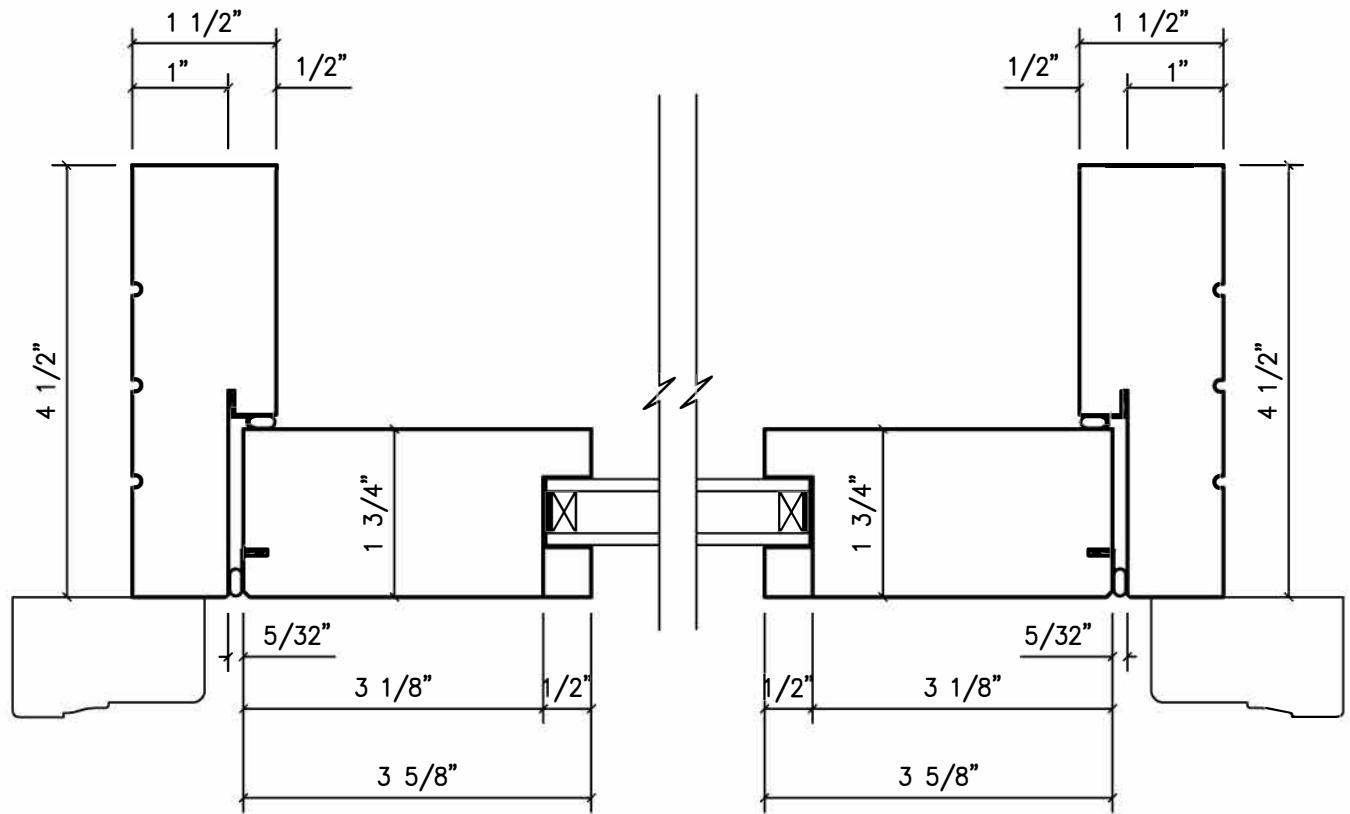
Directory:


TMCobb\Orders

File Name:

SERVERY WINDOW

A1

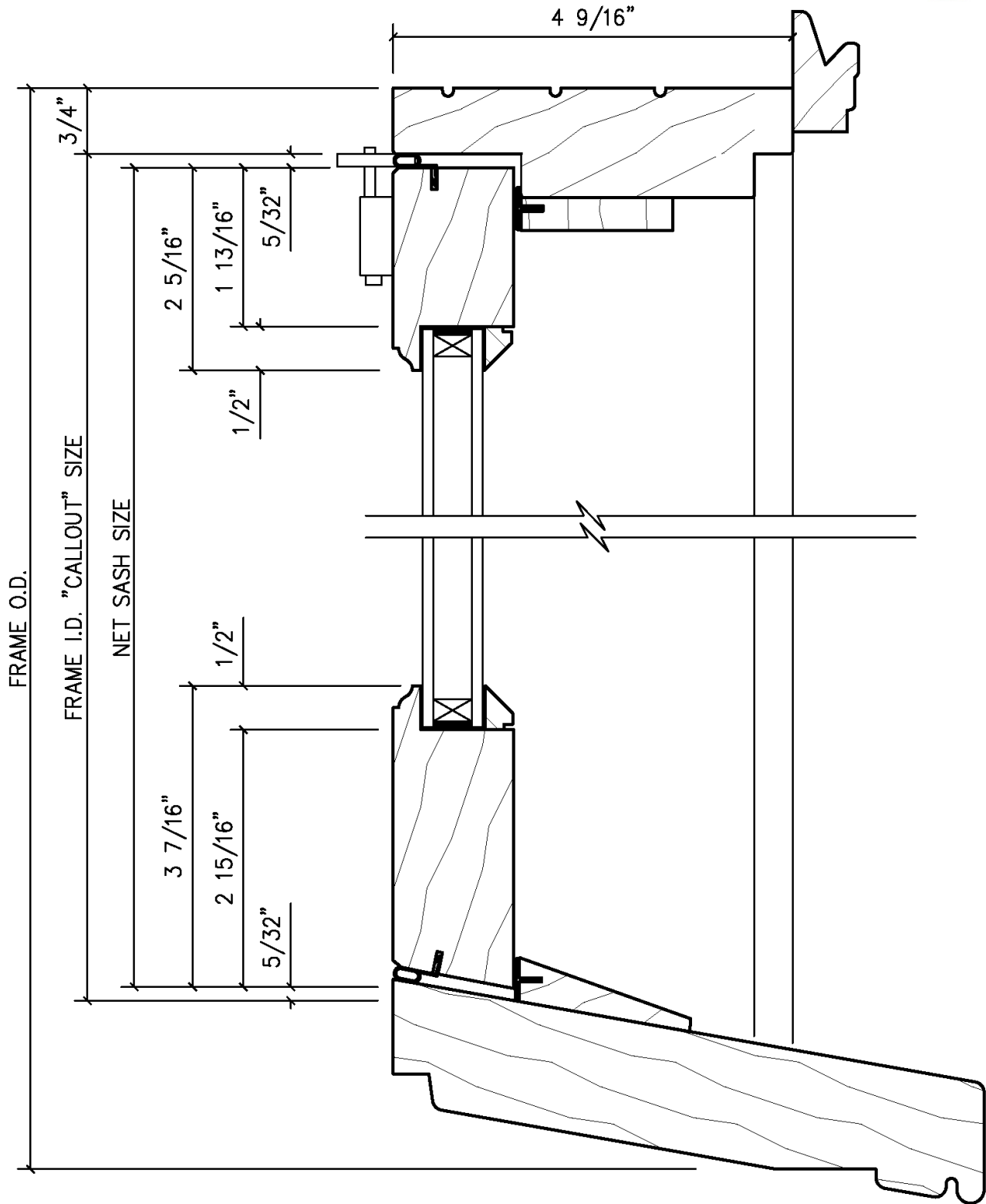


Project / Job Reference:			
Product Line: SERVERY WINDOW		Drawing Title: HEAD / SILL SECTION	
Approved By:	Date Approved:	Scale: FULL	Work Order
Drawings & Specifications contain confidential information that are the property of T.M. Cobb Millwork Division and may not be reproduced or used without written permission by the Owner	Drawn By: Boris Orellana	Date: 04/03/23	A1
	Directory: TMCobb\Orders	File Name: SERVERY WINDOW	



HOPPER

VERTICAL SECTION

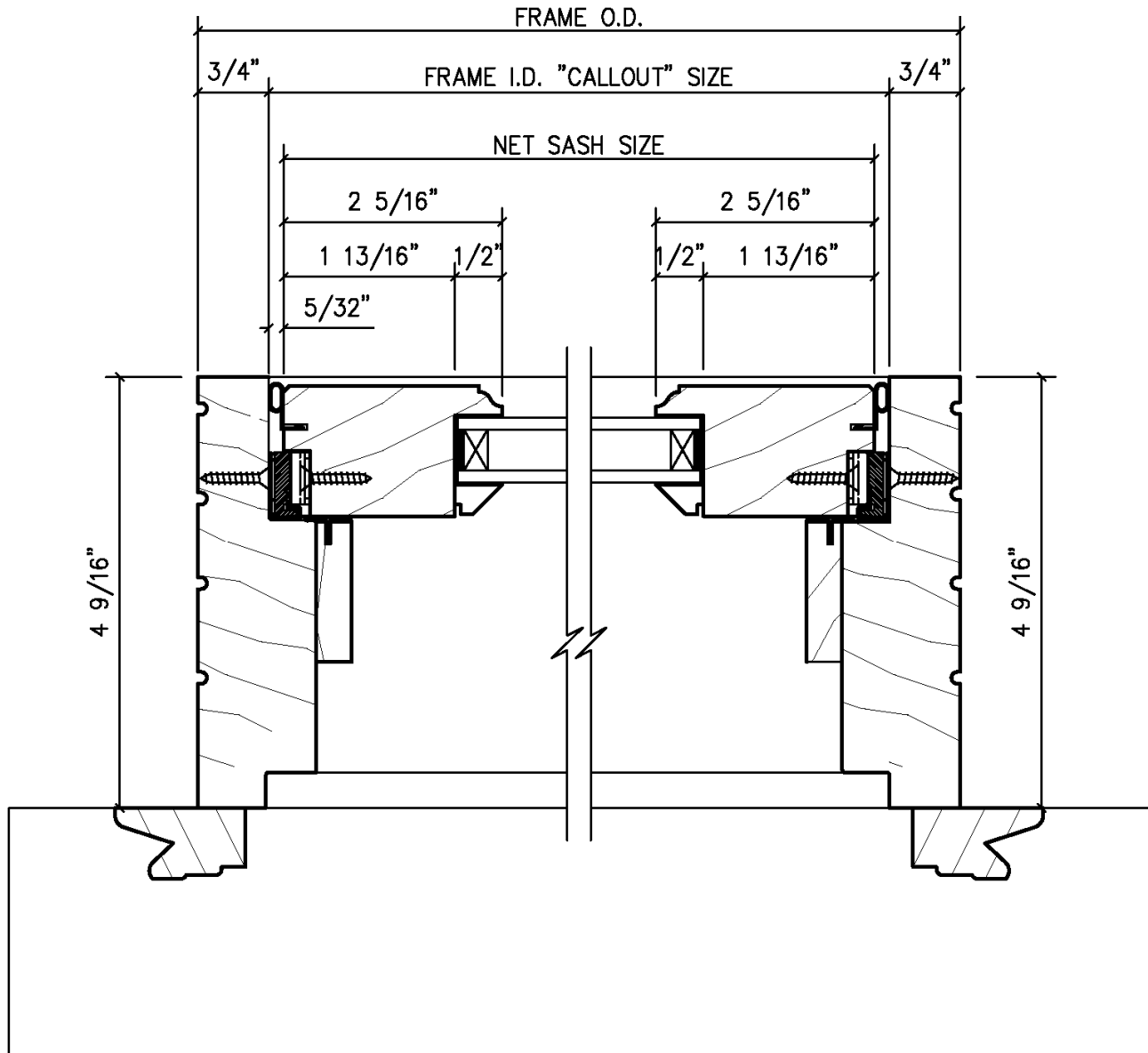


Drawings & Specifications contain confidential information that are the property of Cobb Custom Millwork Division and may not be reproduced or used without written permission by the Owner



HOPPER

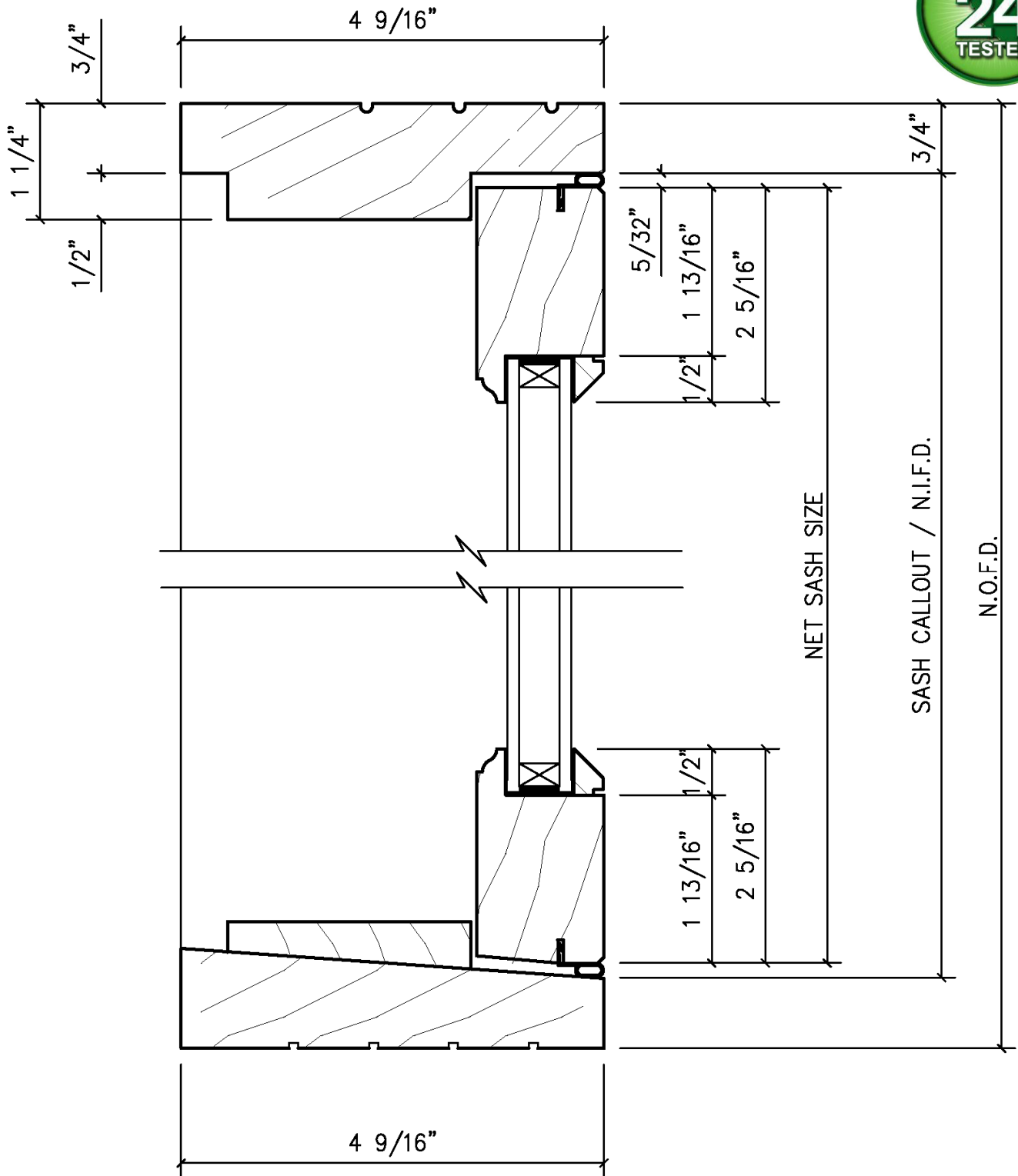
HORIZONTAL SECTION





TRANSOM – SWING OUT FIXED

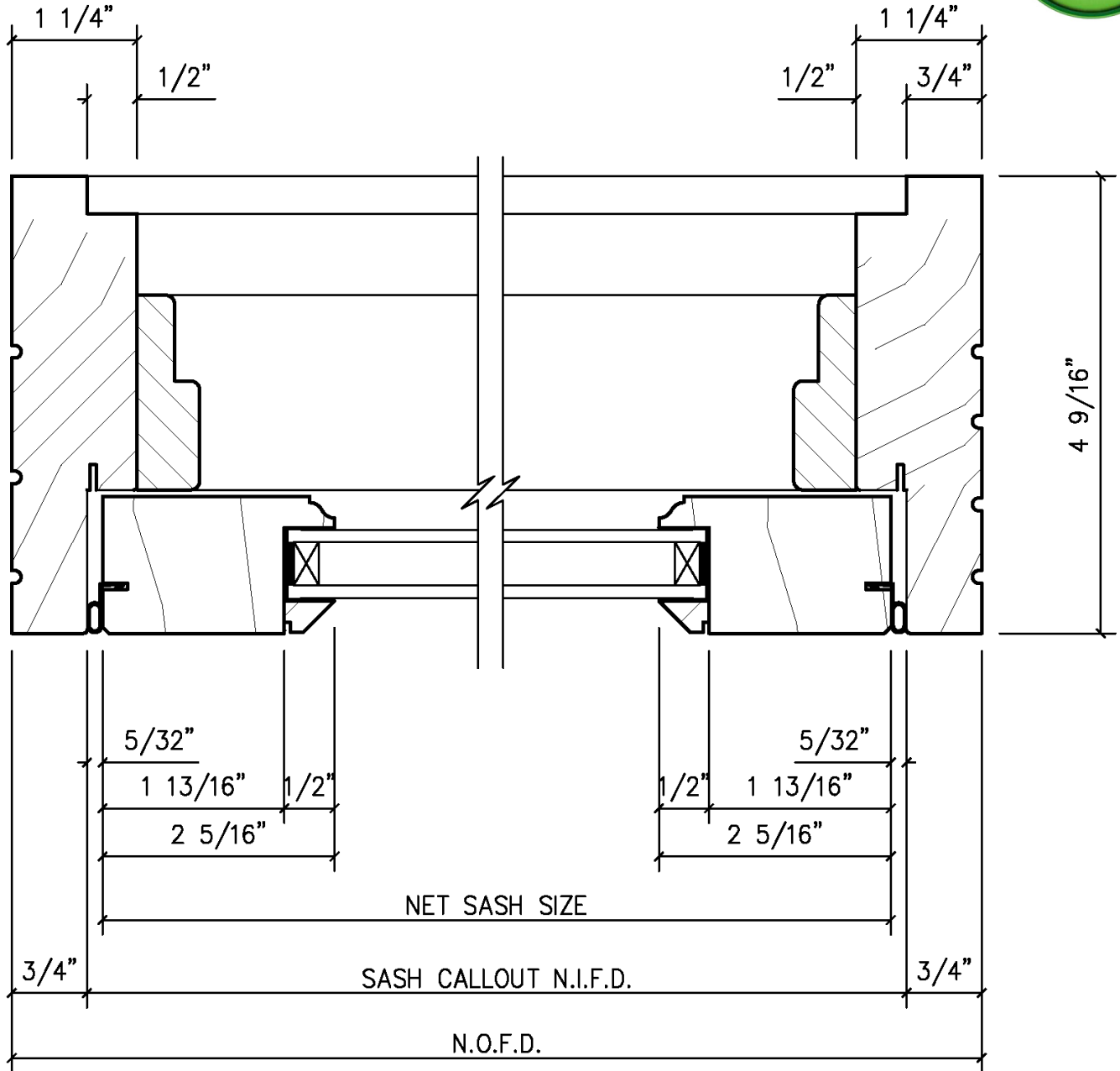
VERTICAL SECTION





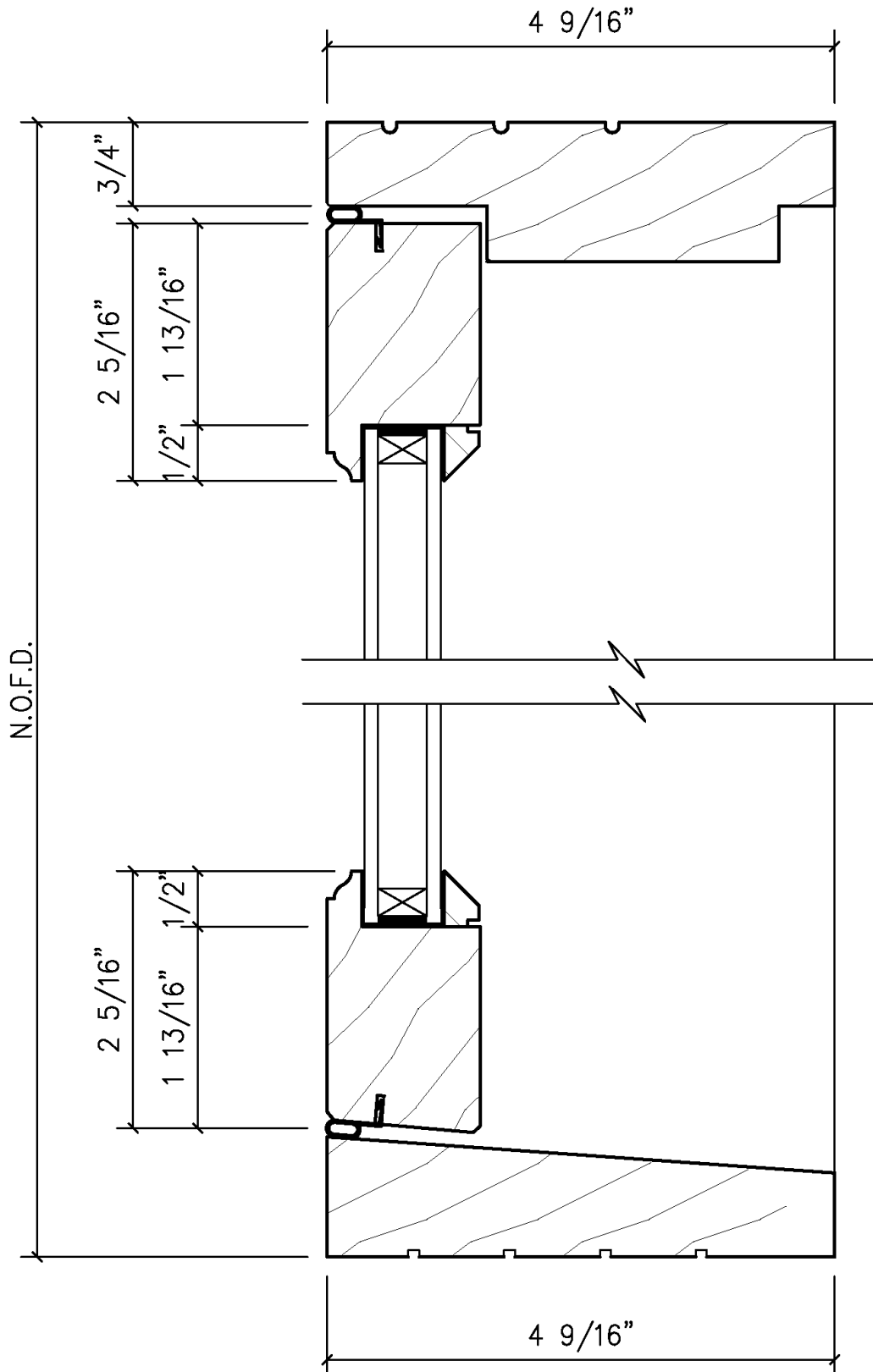
TRANSOM – SWING OUT FIXED

HORIZONTAL SECTION





TRANSOM – SWING IN FIXED VERTICAL SECTION

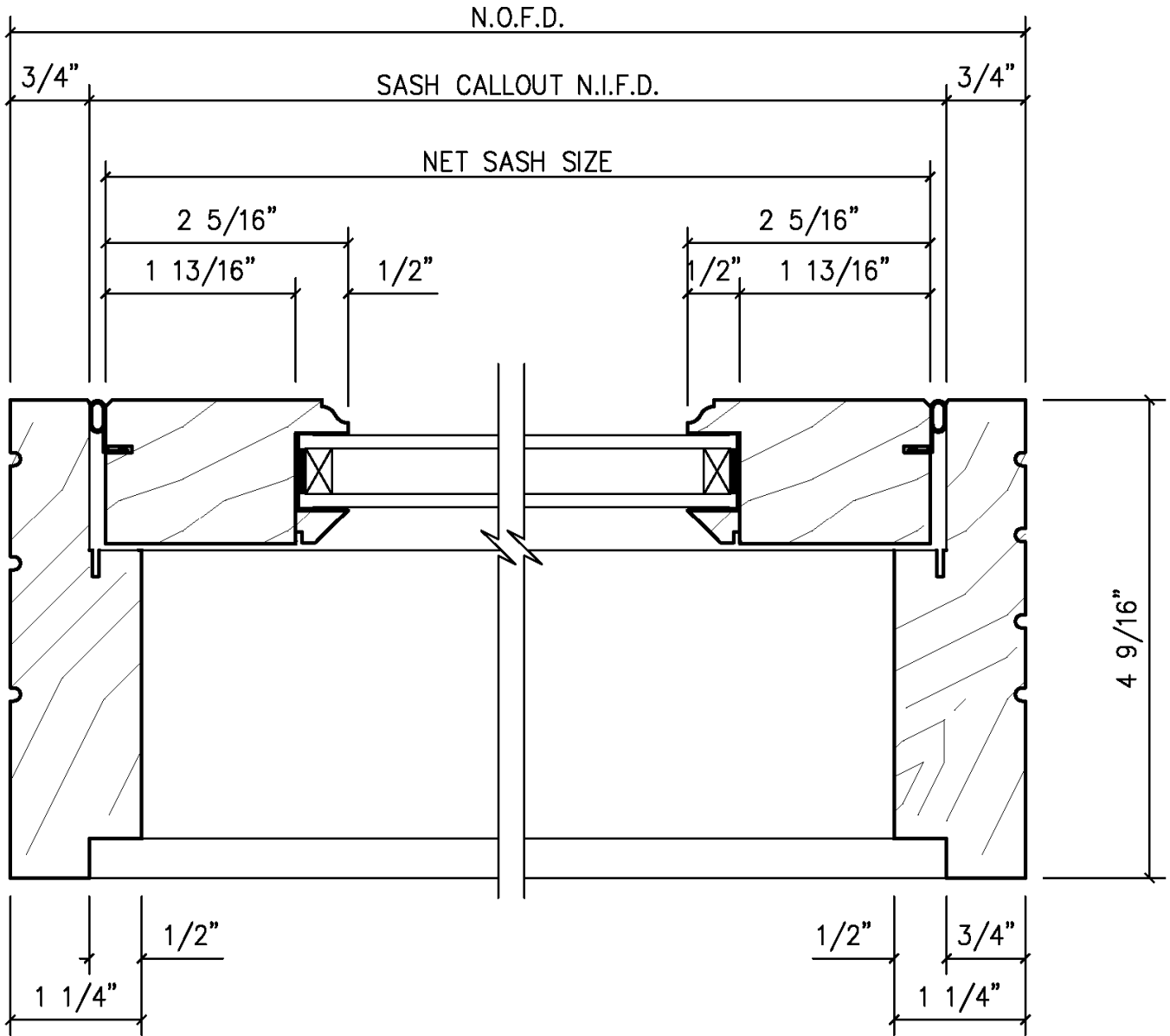


Drawings & Specifications contain confidential information that are the property of Cobb Custom Millwork Division and may not be reproduced or used without written permission by the Owner



TRANSOM – SWING IN FIXED

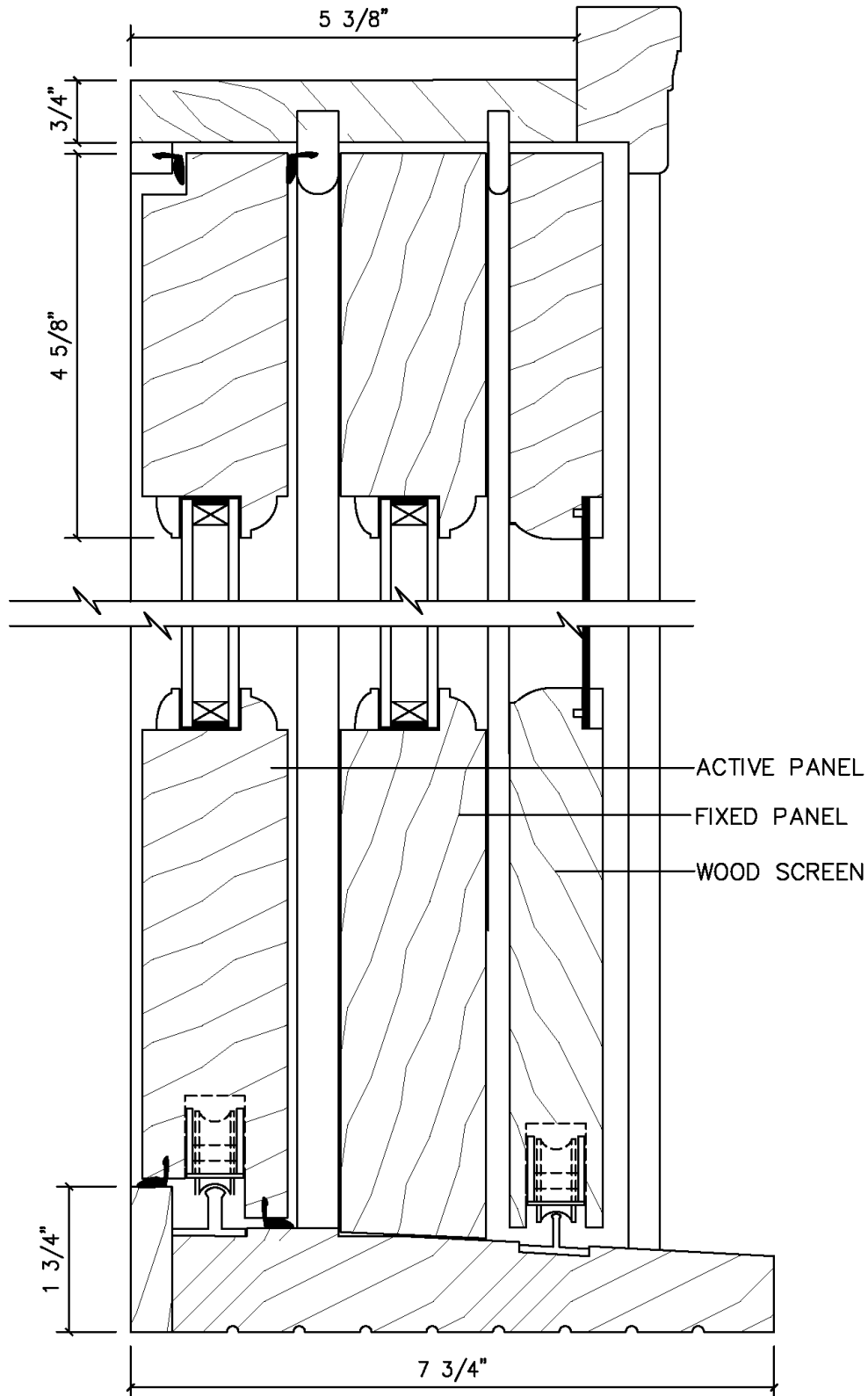
HORIZONTAL SECTION





SLIDING PATIO DOOR

VERTICAL SECTION

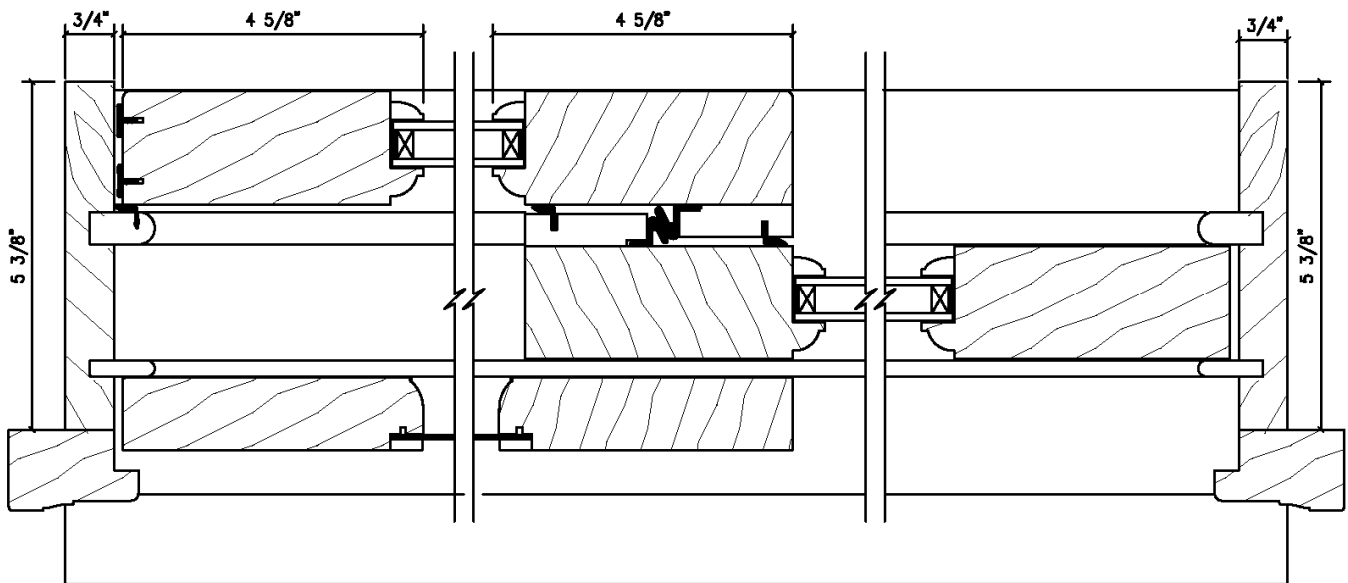


Drawings & Specifications contain confidential information that are the property of Cobb Custom Millwork Division and may not be reproduced or used without written permission by the Owner



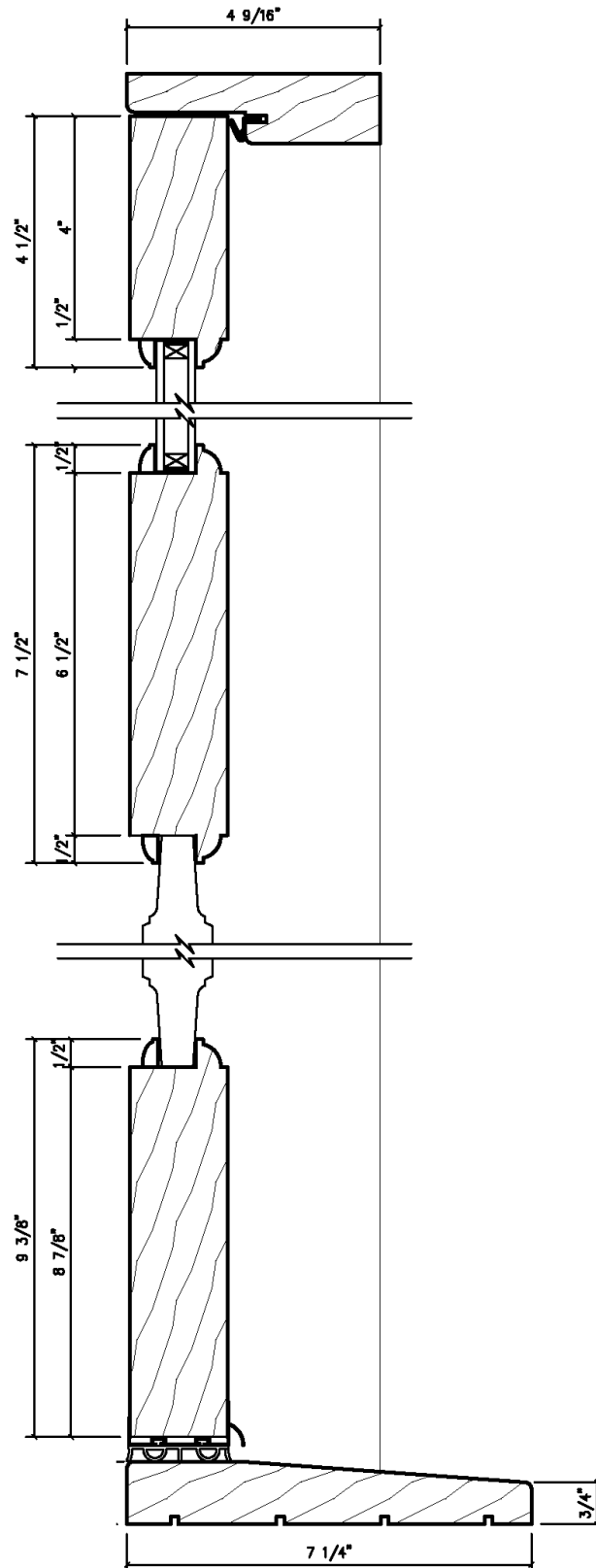
SLIDING PATIO DOOR

HORIZONTAL SECTION





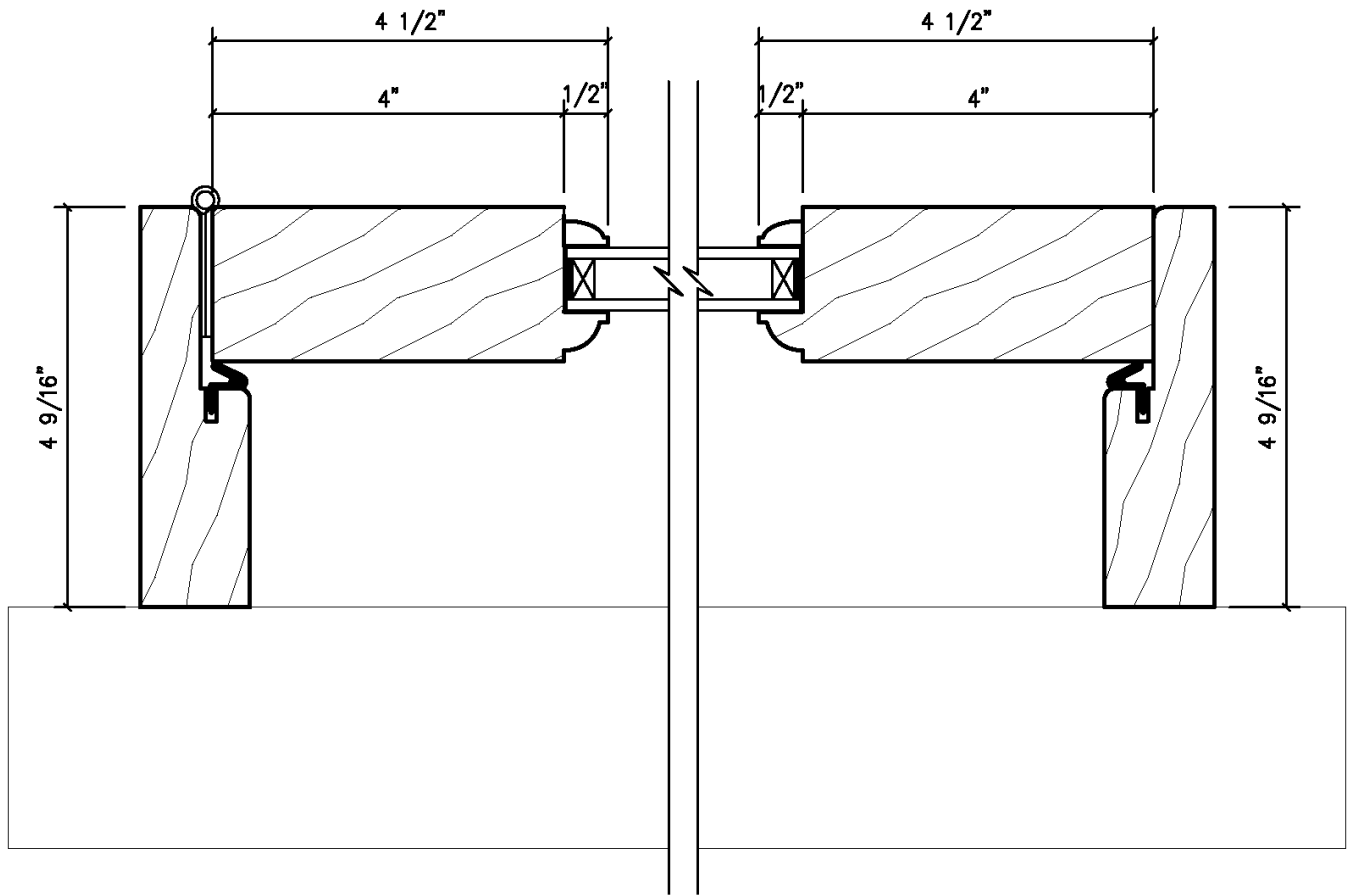
DOOR - SWING IN VERTICAL SECTION



Drawings & Specifications contain confidential information that are the property of Cobb Custom Millwork Division and may not be reproduced or used without written permission by the Owner



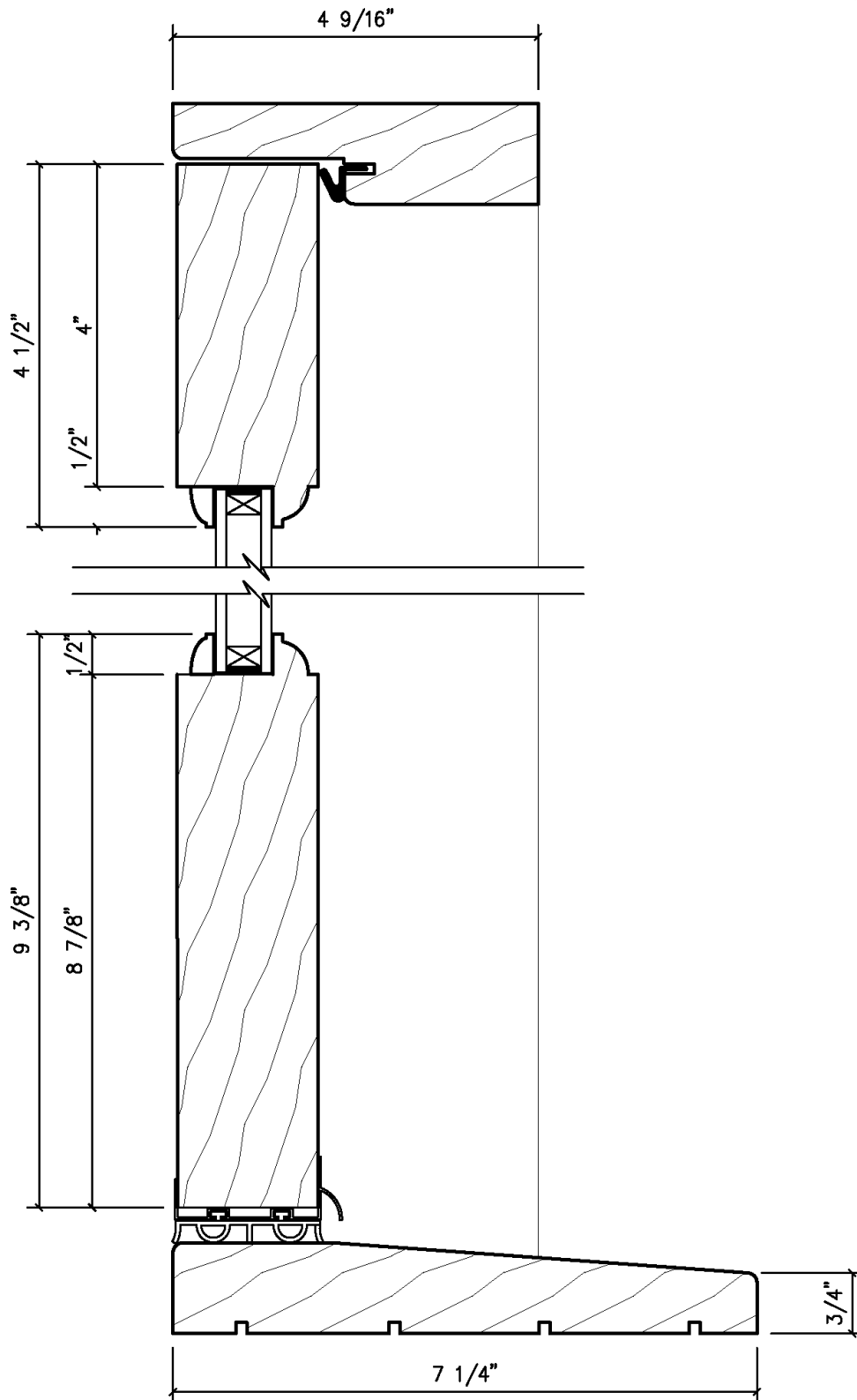
DOOR - SWING IN HORIZONTAL SECTION





FRENCH DOOR

VERTICAL SECTION

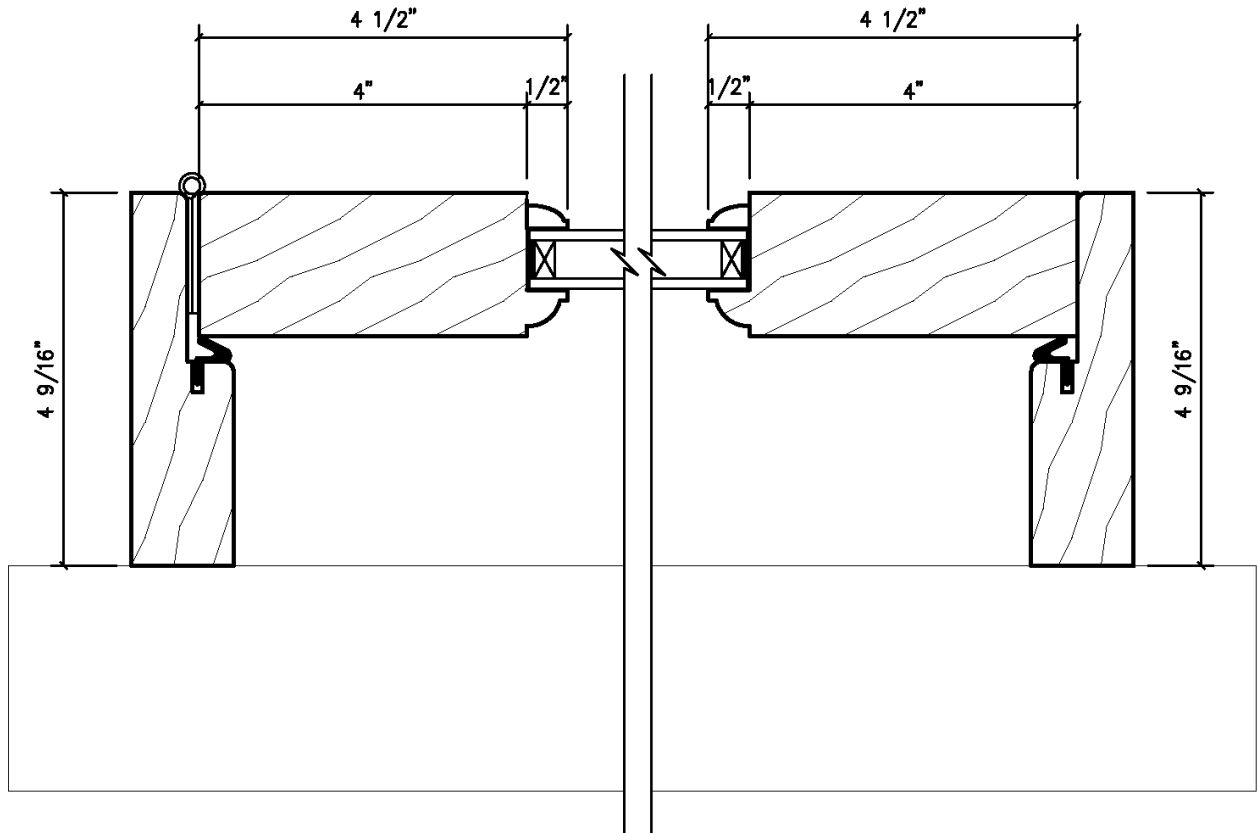


Drawings & Specifications contain confidential information that are the property of Cobb Custom Millwork Division and may not be reproduced or used without written permission by the Owner



FRENCH DOOR

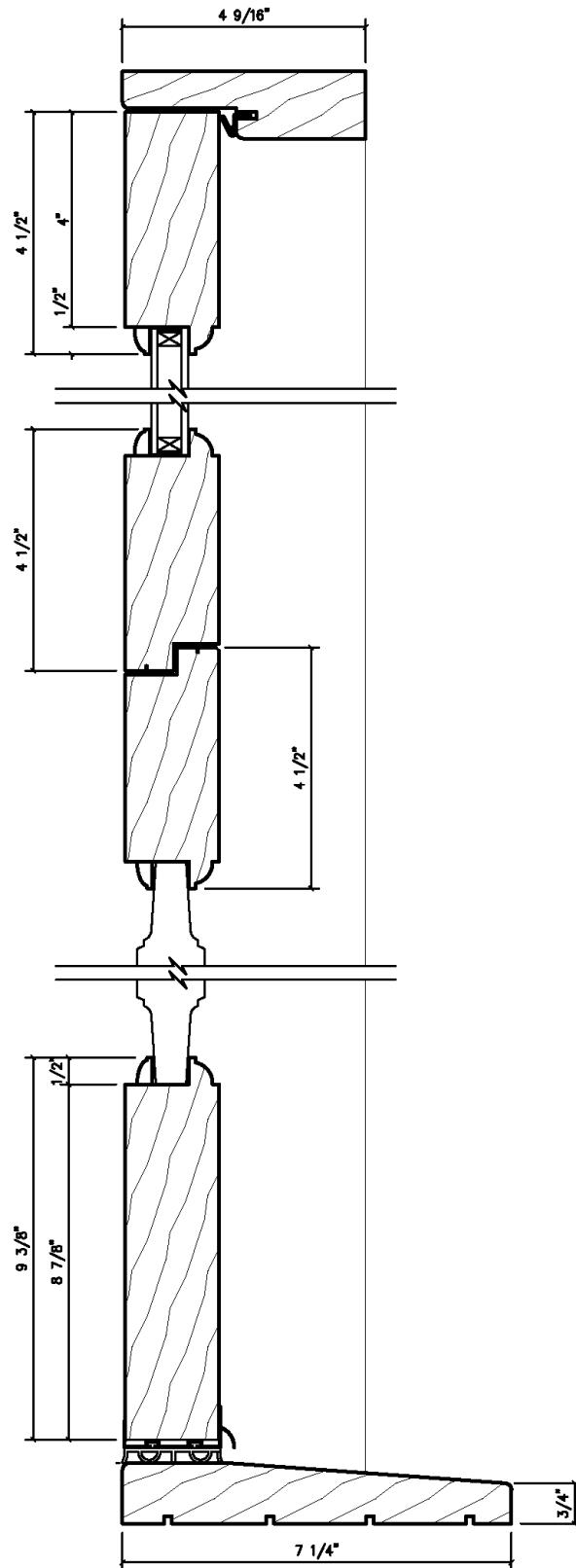
HORIZONTAL SECTION





DUTCH DOOR

VERTICAL SECTION

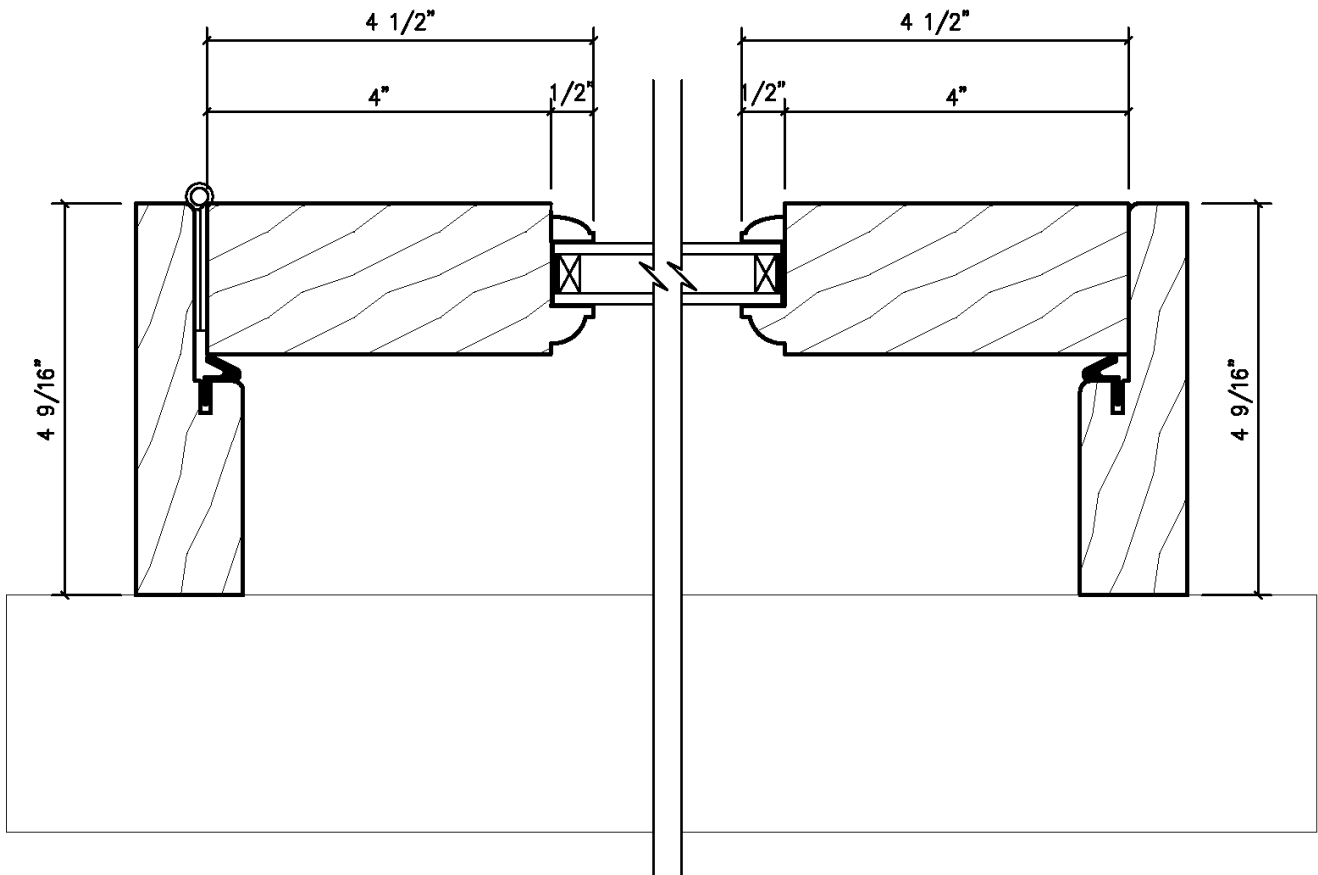


Drawings & Specifications contain confidential information that are the property of Cobb Custom Millwork Division and may not be reproduced or used without written permission by the Owner

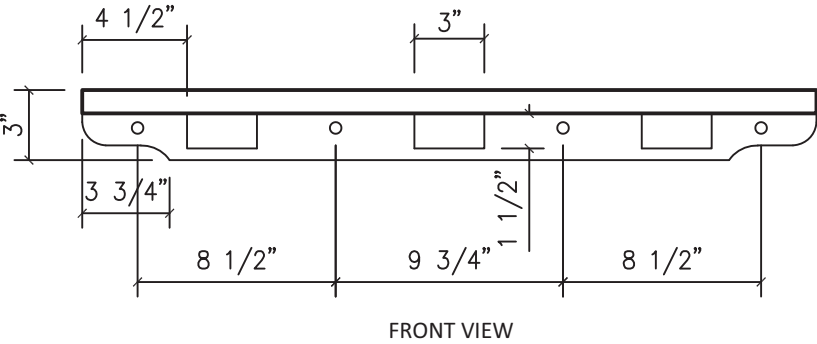
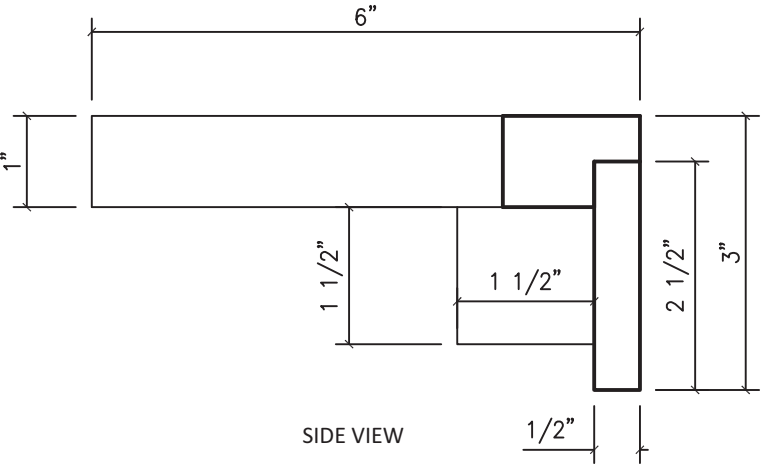
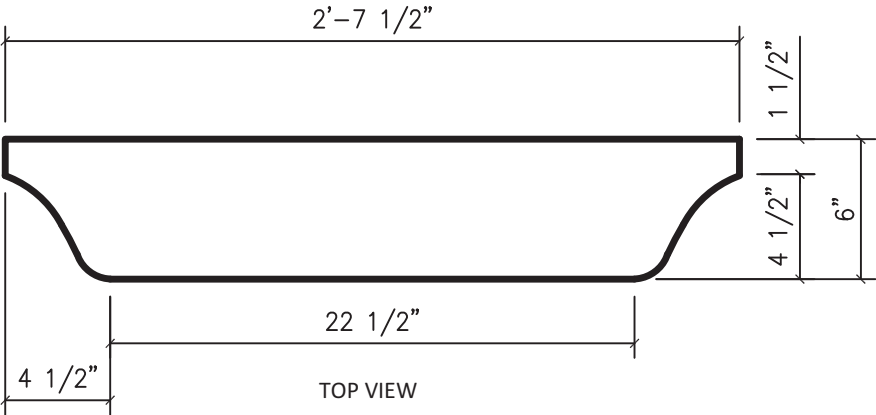


DUTCH DOOR

HORIZONTAL SECTION



(FOR 2'8" DOOR)



COBB CUSTOM

Drawings & Specifications contain confidential information that are the property of T.M. Cobb Cobb Custom Division and may not be reproduced or used without written permission by the Owner

Project / Job Reference: -

Product Line:

Approved By:

Date Approved:

Drawn By: Boris Orellana

Directory: TMCobb

Drawing Title:

Distribution Dutch Shelf for 2' 8"

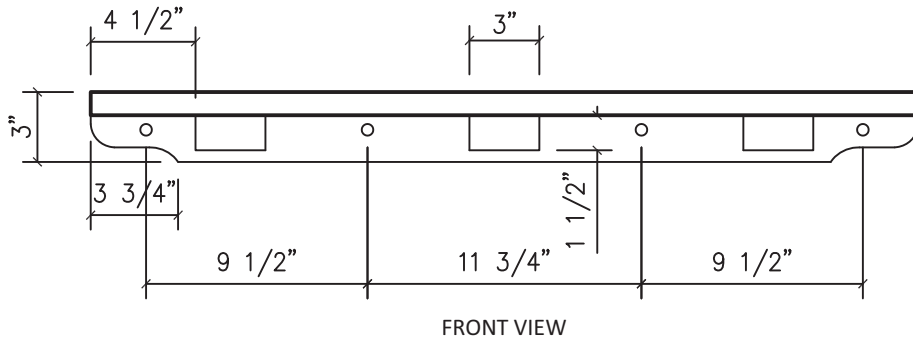
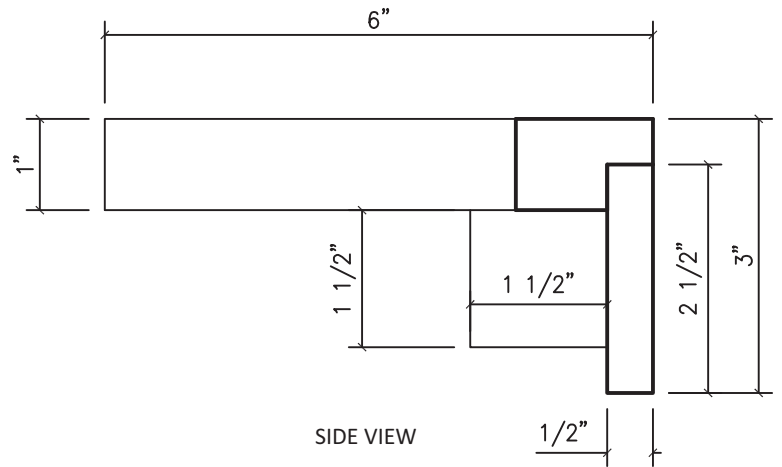
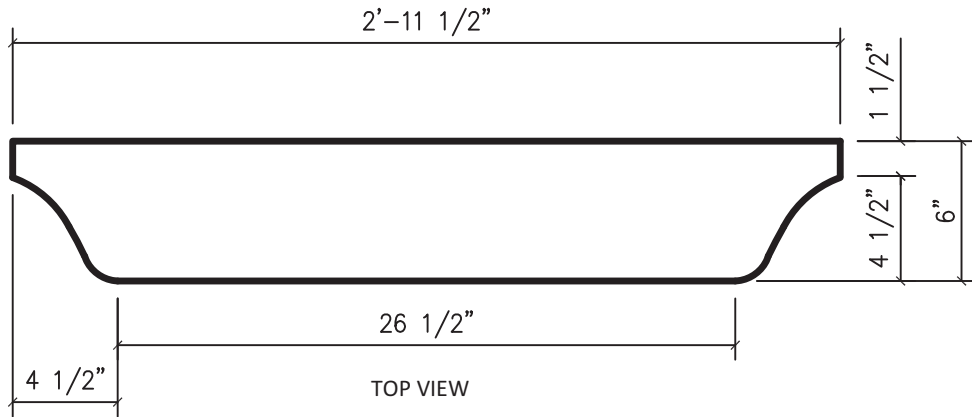
Scale: 1/2" = 1"

Date: 11/03/23

File Name: SHELF



(FOR 3'0" DOOR)



COBB CUSTOM

Drawings & Specifications contain confidential information that are the property of T.M. Cobb Cobb Custom Division and may not be reproduced or used without written permission by the Owner

Project / Job Reference:

-

Product Line:

Approved By:

Date Approved:

Drawn By: Boris Orellana

Directory: TMCobb

Drawing Title:

Distribution Dutch Shelf for 3' 0"

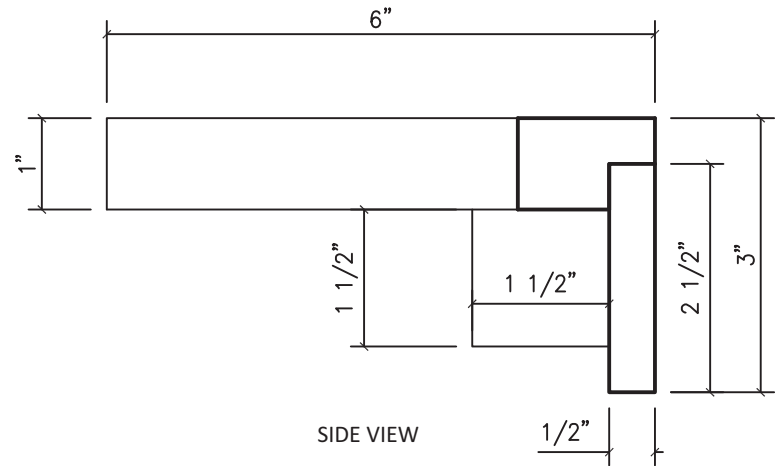
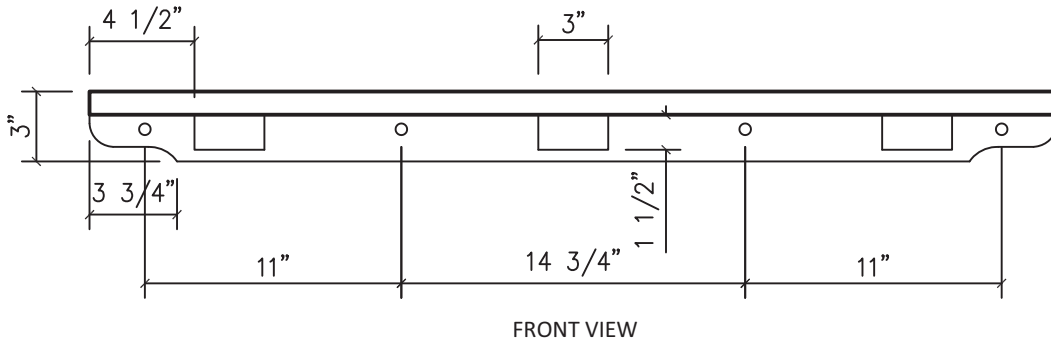
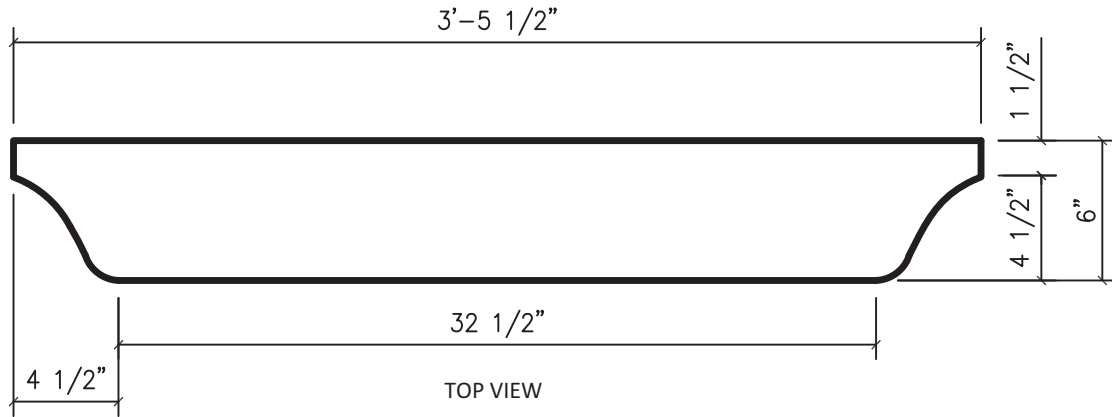
Scale: 1/2" = 1"

Date: 11/03/23

File Name: SHELF



(FOR 3'6" DOOR)



COBB CUSTOM

Drawings & Specifications contain confidential information that are the property of T.M. Cobb Cobb Custom Division and may not be reproduced or used without written permission by the Owner

Project / Job Reference:

-

Product Line:

Approved By:

Date Approved:

Drawn By: Boris Orellana

Directory: TMCobb

Drawing Title:

Distribution Dutch Shelf for 3' 6"

Scale: 1/2" = 1"

Date: 11/03/23

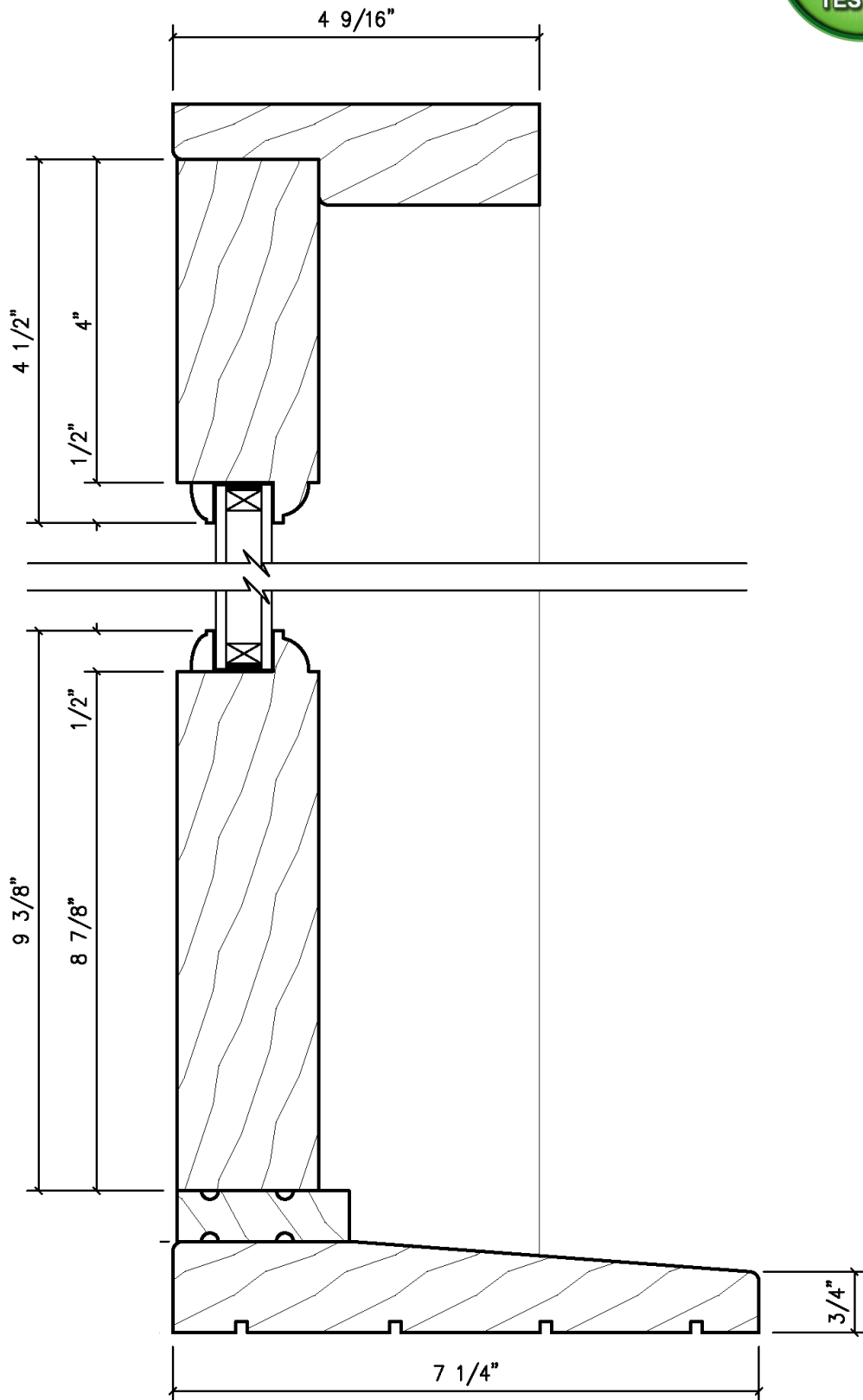
File Name: SHELF





FIXED SIDELITE

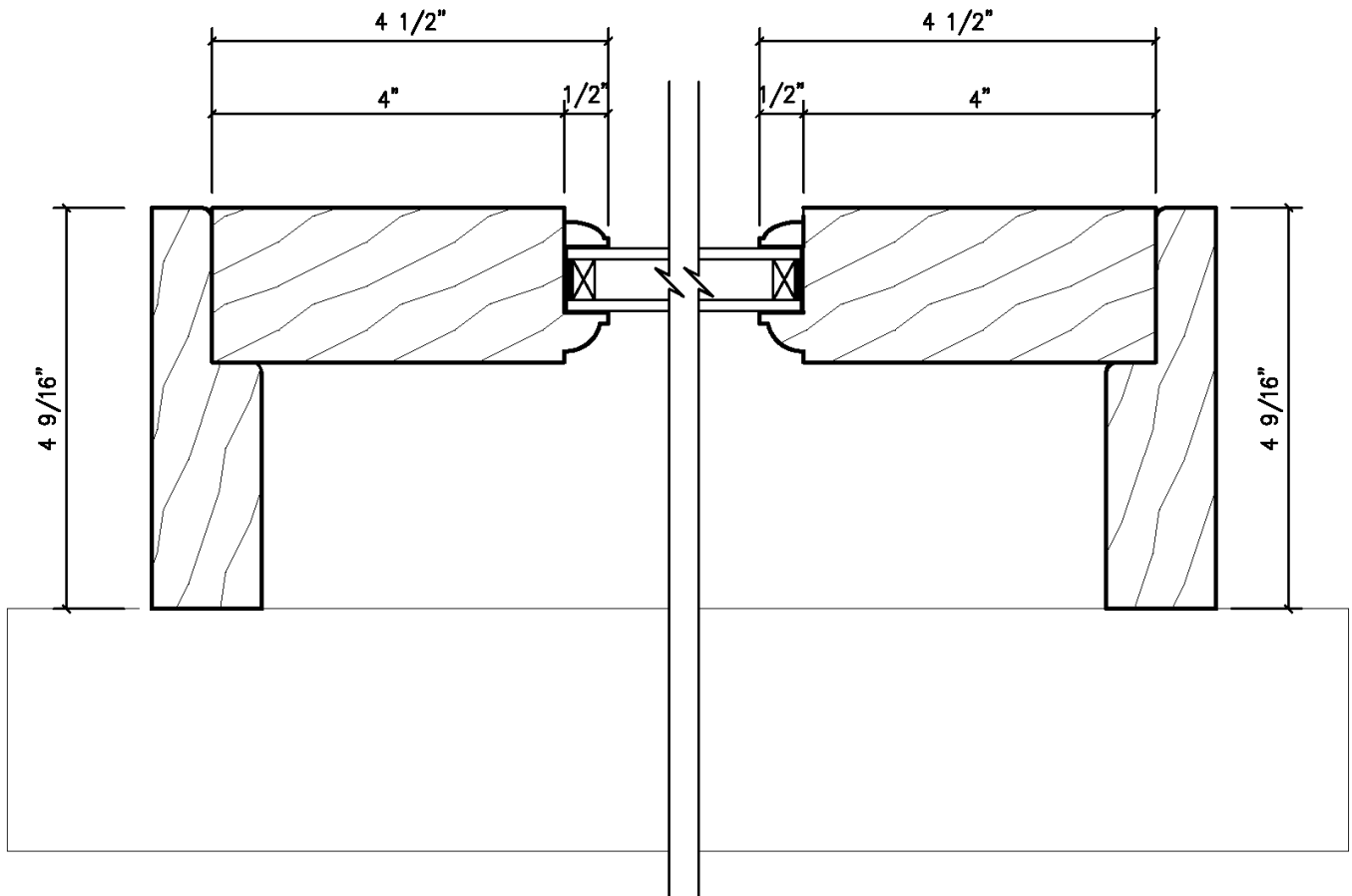
VERTICAL SECTION





FIXED SIDELITE

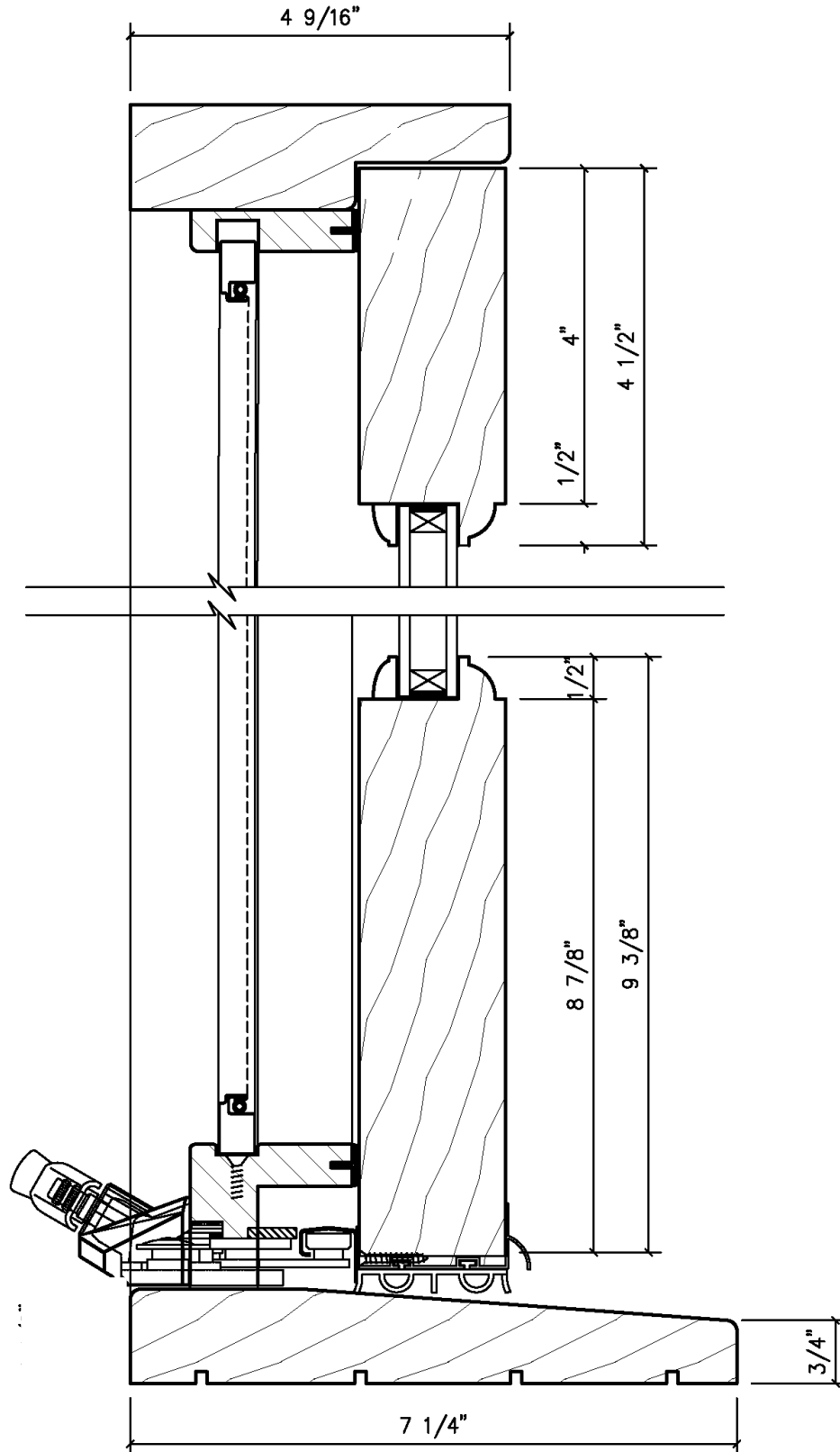
HORIZONTAL SECTION





OPERABLE SIDELITE

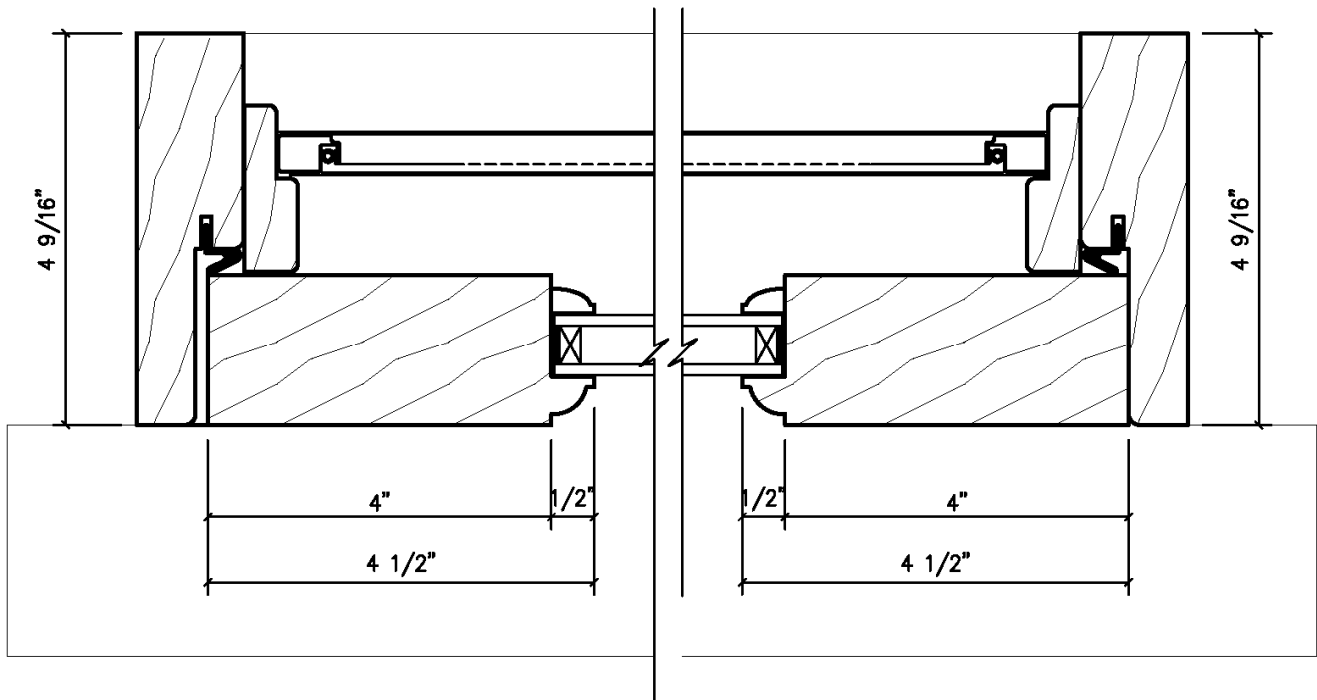
HORIZONTAL SECTION





OPERABLE SIDELITE

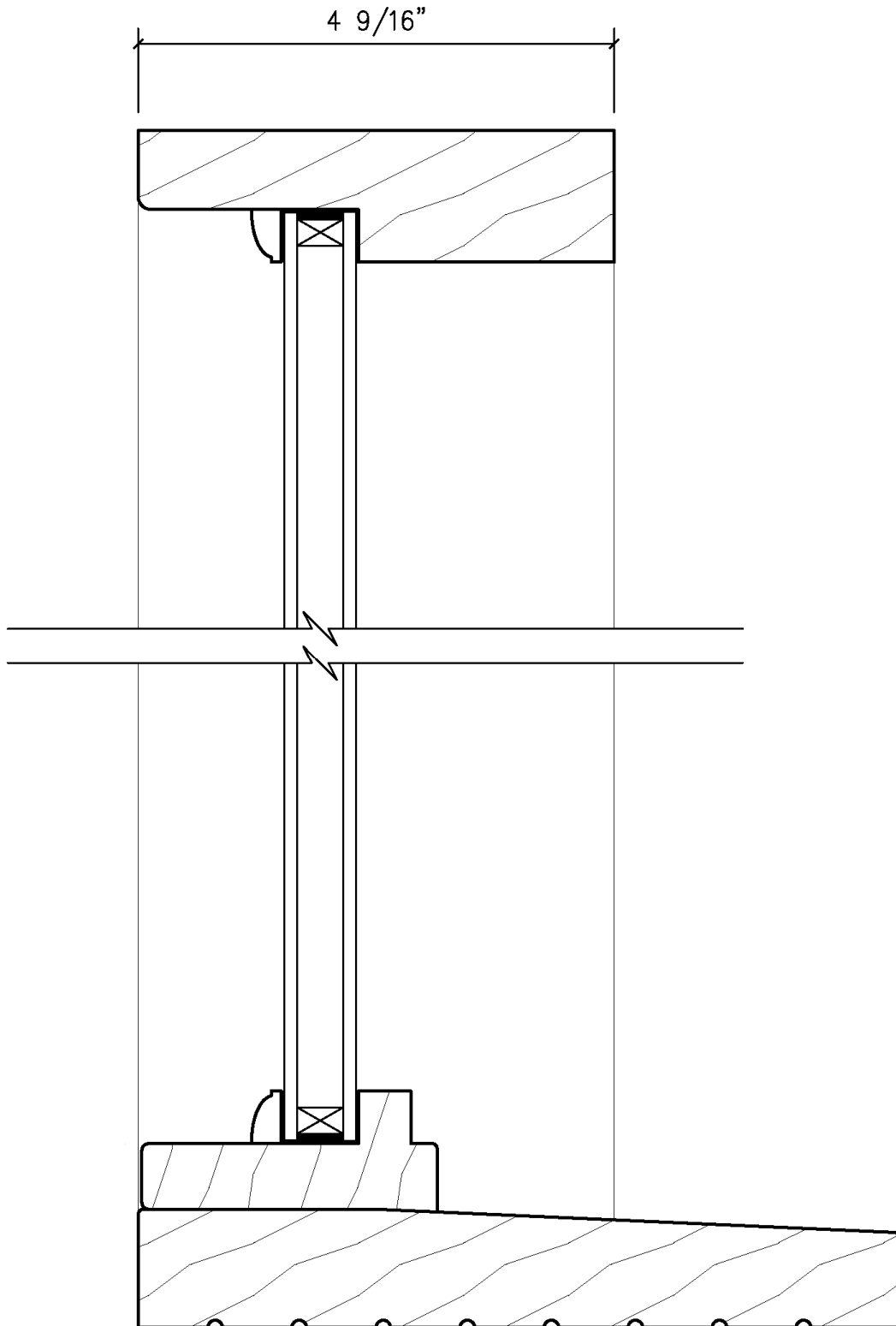
HORIZONTAL SECTION





DIRECT SET SIDELITE

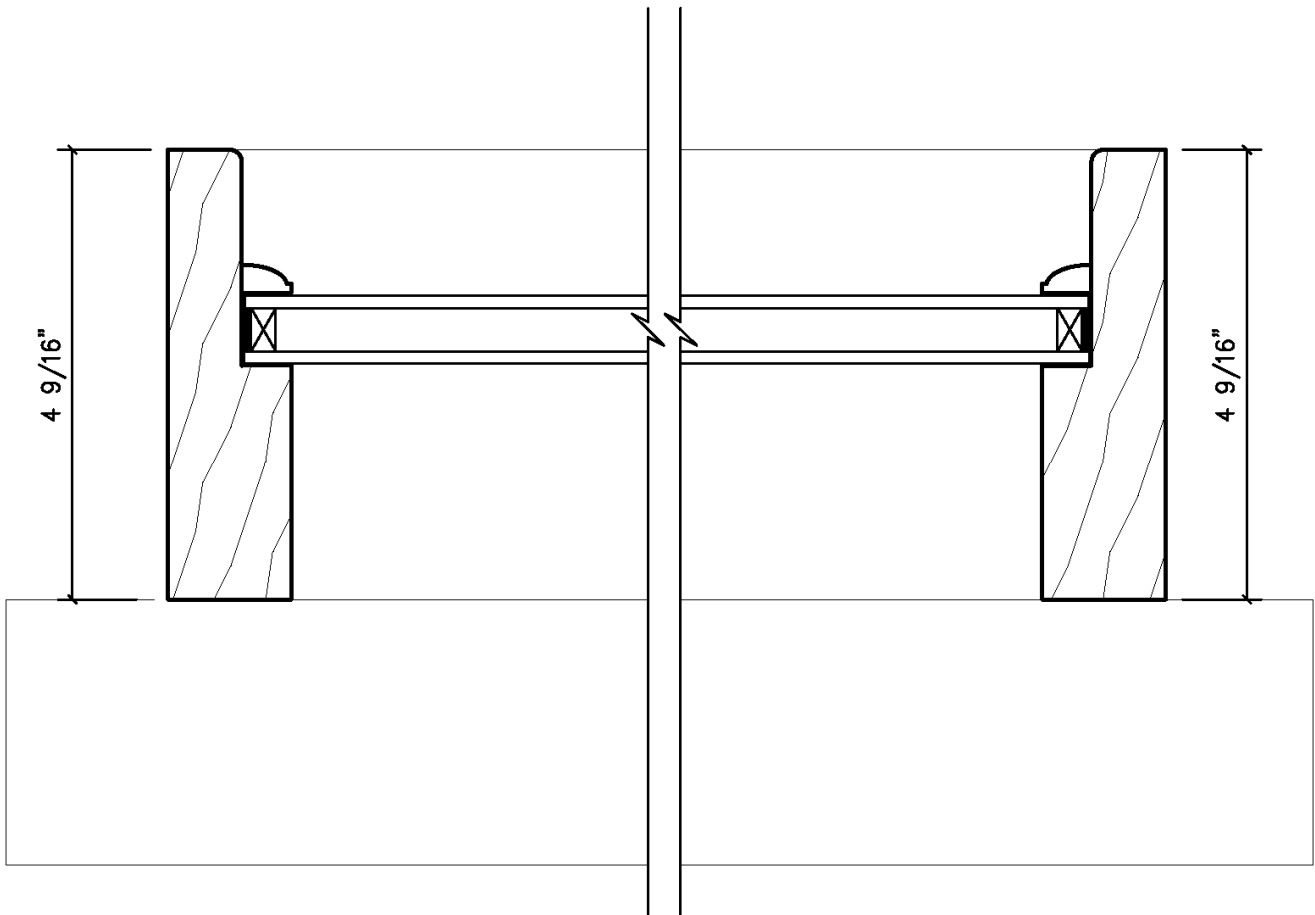
VERTICAL SECTION



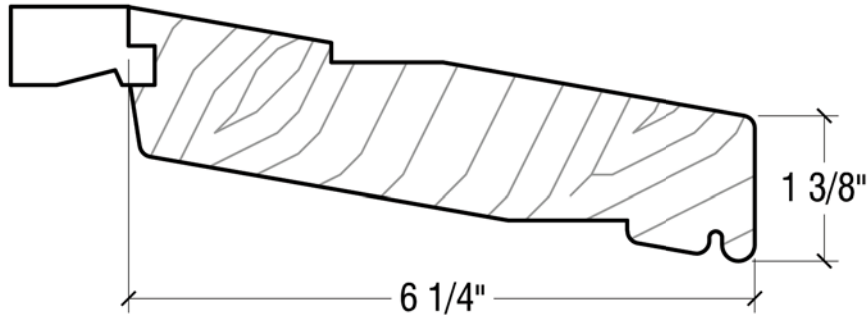


DIRECT SET SIDELITE

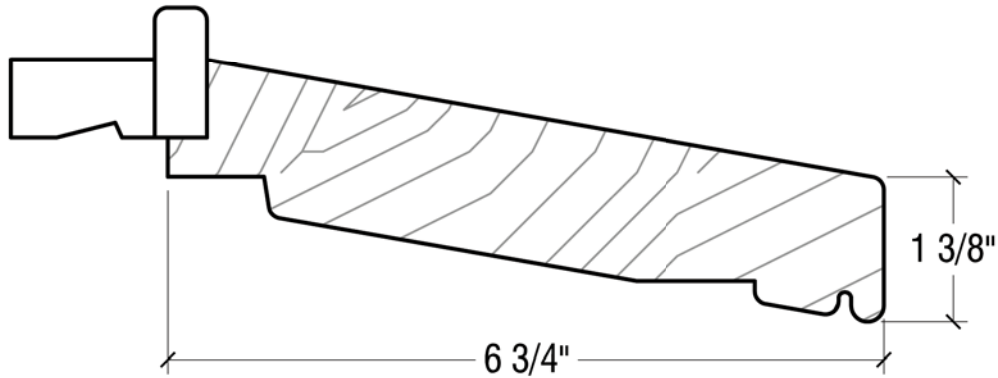
HORIZONTAL SECTION



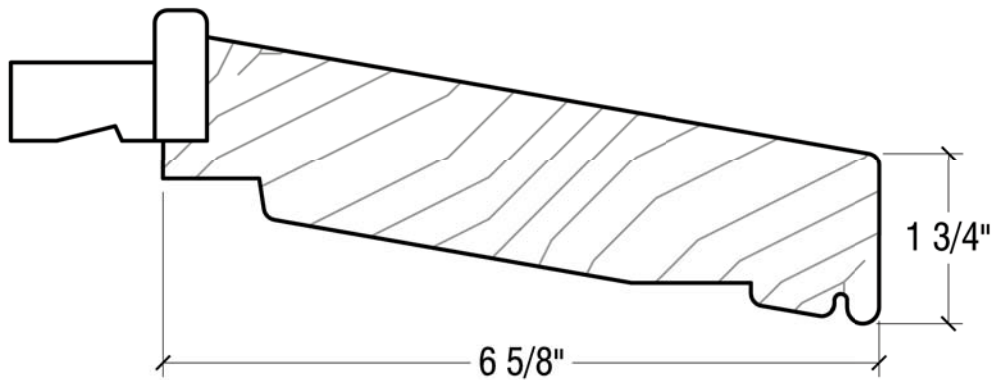
SLOPE SILL APPLICATIONS



STANDARD CASEMENT

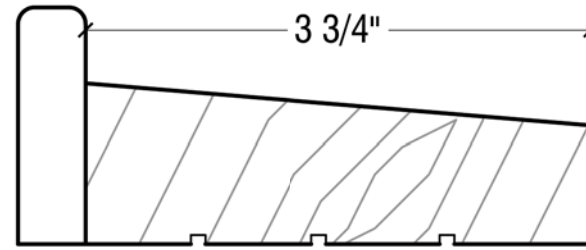


STANDARD DOUBLE HUNG / SLIDER

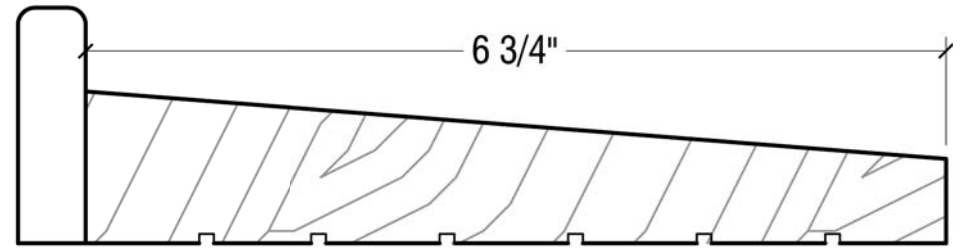


OPTIONAL 1 3/4" THICK SILL NOSE

FLAT SILL APPLICATIONS



OPTION

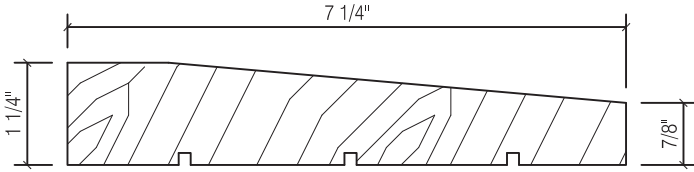


OPTION

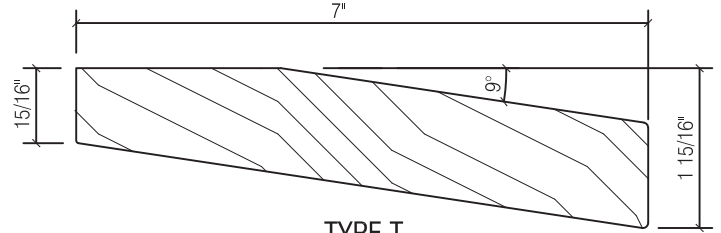




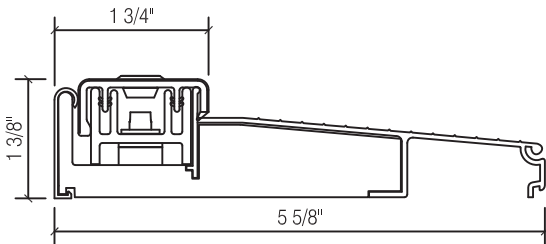
COBB CUSTOM SWINGING DOOR SILL OPTIONS



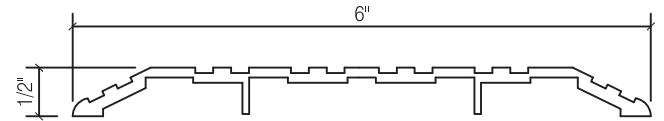
TYPE A
(SOLID OAK, FLAT)



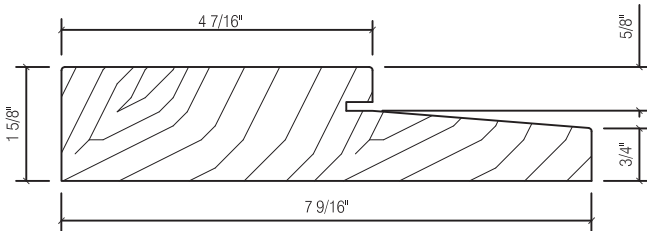
TYPE T
(SOLID OAK, BEVEL)



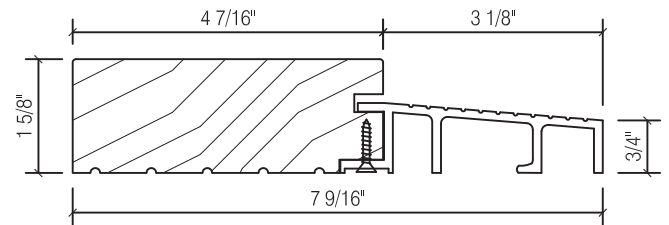
ADJUSTABLE SILL
(INSWING - ALUMINUM)



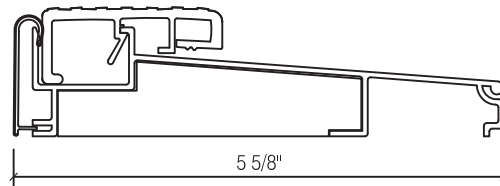
TYPE H.C. (HANDICAP - ALUMINUM)



TYPE L.O.
(OUTSWING - SOLID OAK)



TYPE L.O.A.
(OUTSWING - ALUMINUM/OAK)

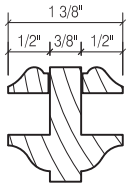


TYPE BSSO
(BUMPER SILL - OUTSWING)

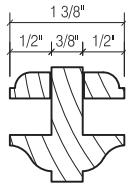
Drawings & Specifications contain confidential information that are the property of Cobb Custom Millwork Division and may not be reproduced or used without written permission by the Owner

DUAL GLAZED

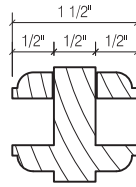
AVAILABLE IN 1 3/8", 1 1/2" & 1 3/4" SASH/DOOR



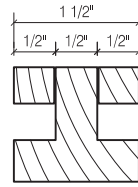
1/2" T.W. STKG
T.W. STOP
STD # 1



1/2" T.W. STKG
OVOLO STOP
STD # 2



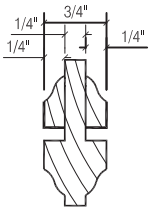
1/2" OVOLO STKG
OVOLO STOP
STD # 3



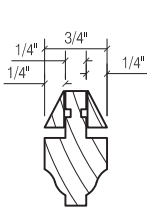
1/2" SQUARE STKG
SQUARE STOP
± STD # 4

SINGLE GLAZED

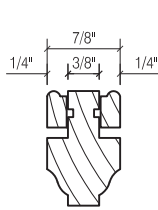
AVAILABLE IN 1 3/8", 1 1/2" & 1 3/4" SASH/DOOR



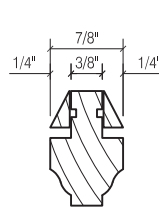
1/4" OGEE STKG
OGEE STOP
* OPT # 7



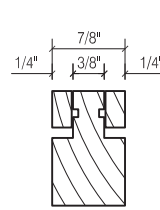
1/4" OGEE STKG
SIM. PUTTY
* OPT # 8



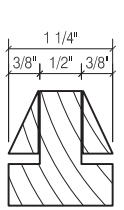
1/4" OGEE STKG
600. STOP
STD # 9



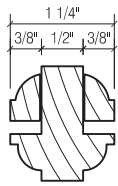
1/4" OGEE STKG
SIM. PUTTY
STD # 10



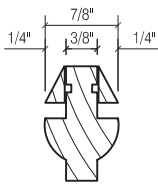
1/4" SQUARE STKG
SQUARE STOP
± STD # 11



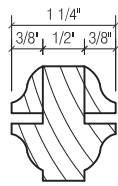
3/8" SQUARE STKG
SIM. PUTTY
± STD # 12



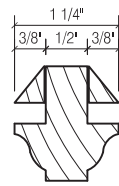
3/8" OVOLO STKG
OVOLO. STOP
STD # 13



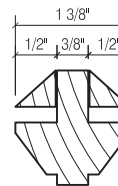
1/4" SIM. PUTTY
* OPT # 14



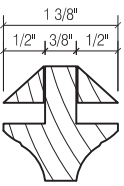
3/8" STD. STOP
* OPT # 15



3/8" SIM. PUTTY
* OPT # 16



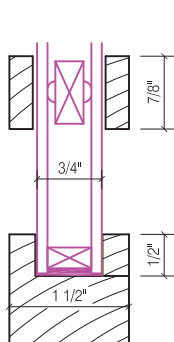
1/2" SIM. PUTTY
* OPT # 17



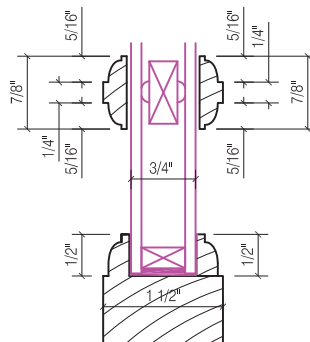
1/2" SIM. STOP
* OPT # 18

SDL PROFILES

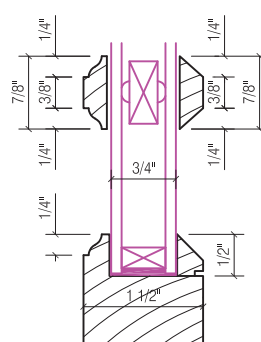
AVAILABLE IN 1 3/8", 1 1/2" & 1 3/4" SASH/DOOR



* 7/8" SQUARE SDL PROFILE
± OPT # 22



* 7/8" OVOLO SDL PROFILE
± OPT # 23



* 7/8" OGEE SDL PROFILE
± OPT # 24

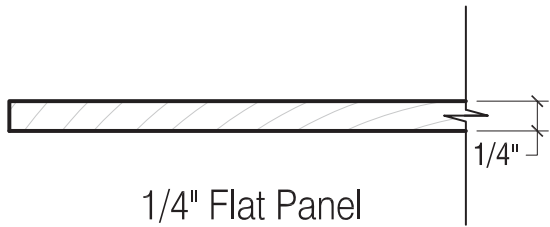
* ALL EXTERIOR GRIDS ARE PRIMED

* Set up charge required

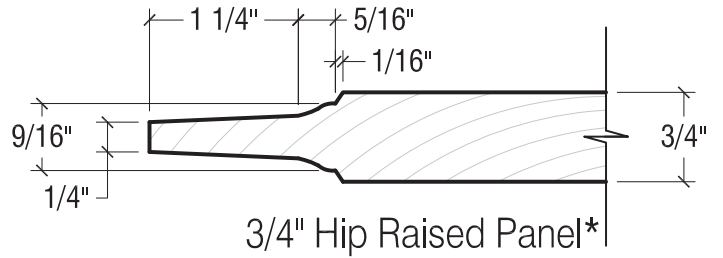
± Additional charge required



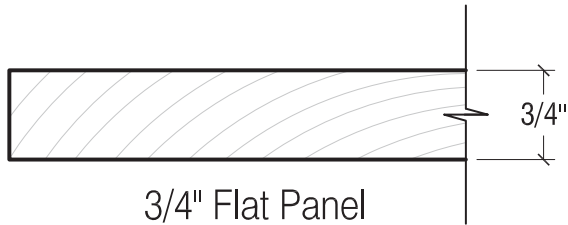
Drawings & Specifications contain confidential information that are the property of Cobb Custom Millwork Division and may not be reproduced or used without written permission by the Owner



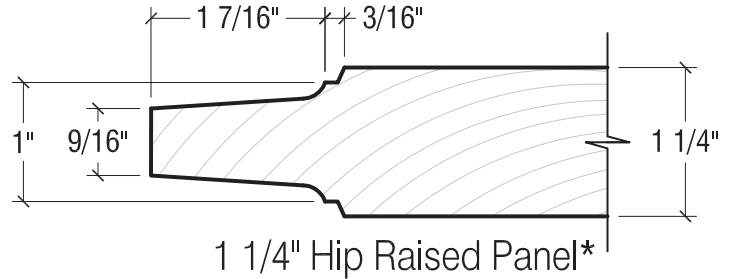
1/4" Flat Panel
Used on 1 3/8" doors



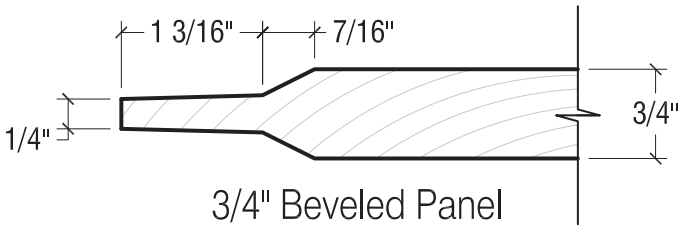
3/4" Hip Raised Panel*



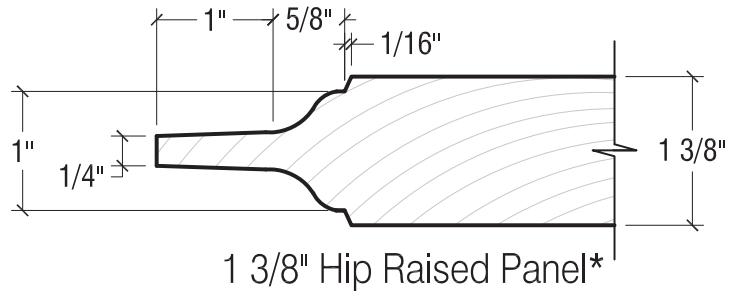
3/4" Flat Panel
Used on 1 3/4" doors



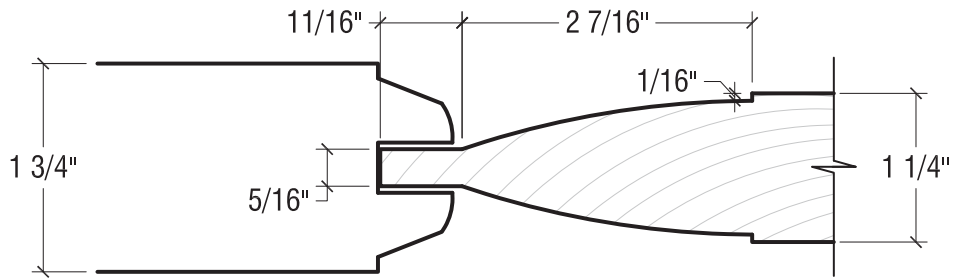
1 1/4" Hip Raised Panel*



3/4" Beveled Panel

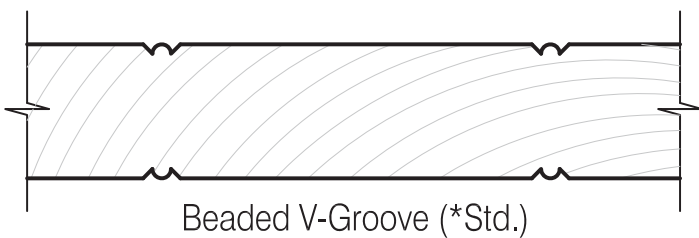


1 3/8" Hip Raised Panel*

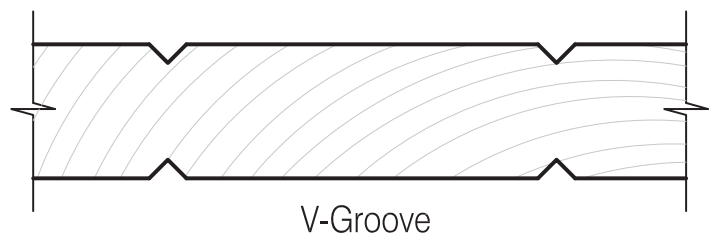


1 1/4" Aspen Raised Panel*
with P&G Sticking

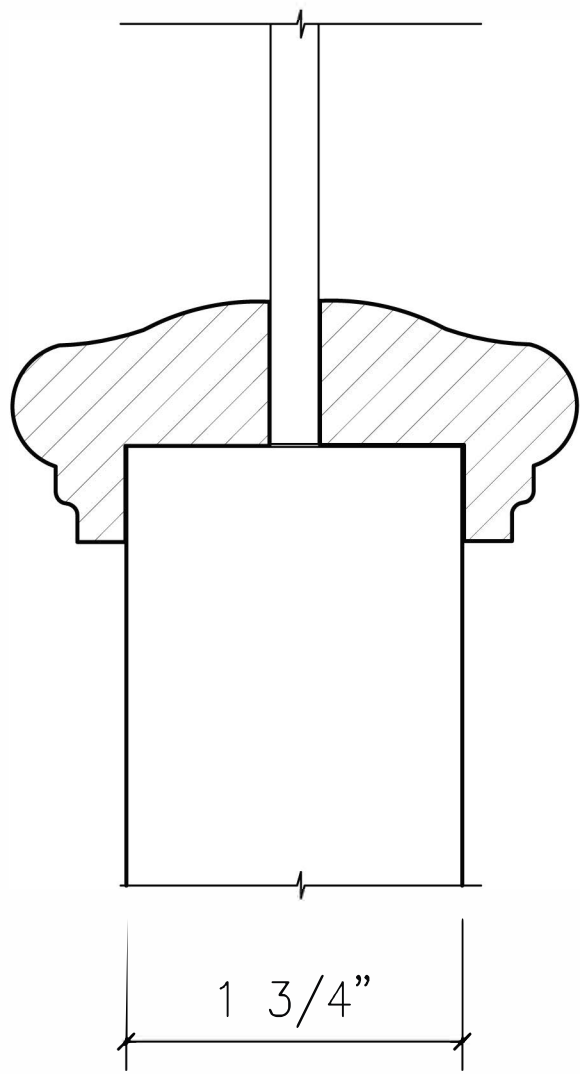
*Can be V-Grooved. Cobb Custom standard is Beaded V-Groove.



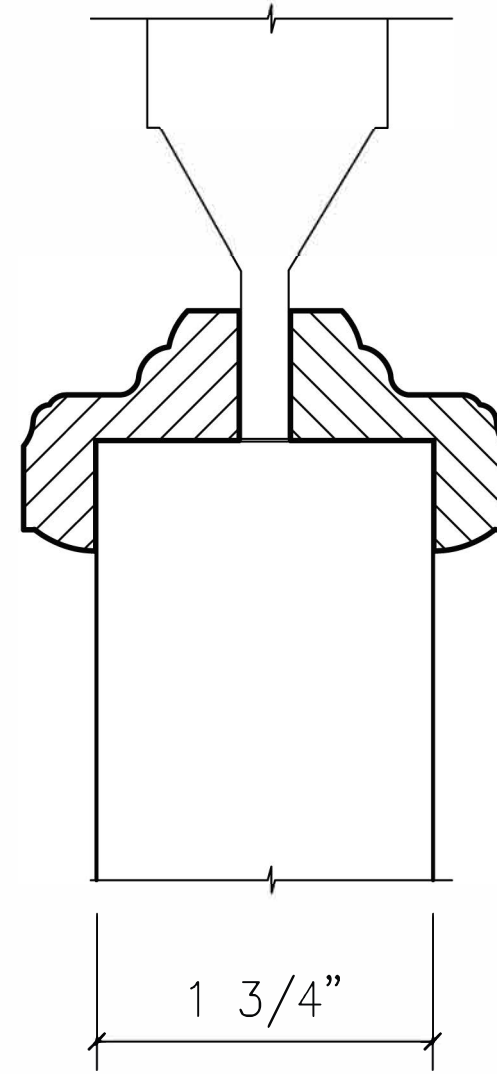
Beaded V-Groove (*Std.)



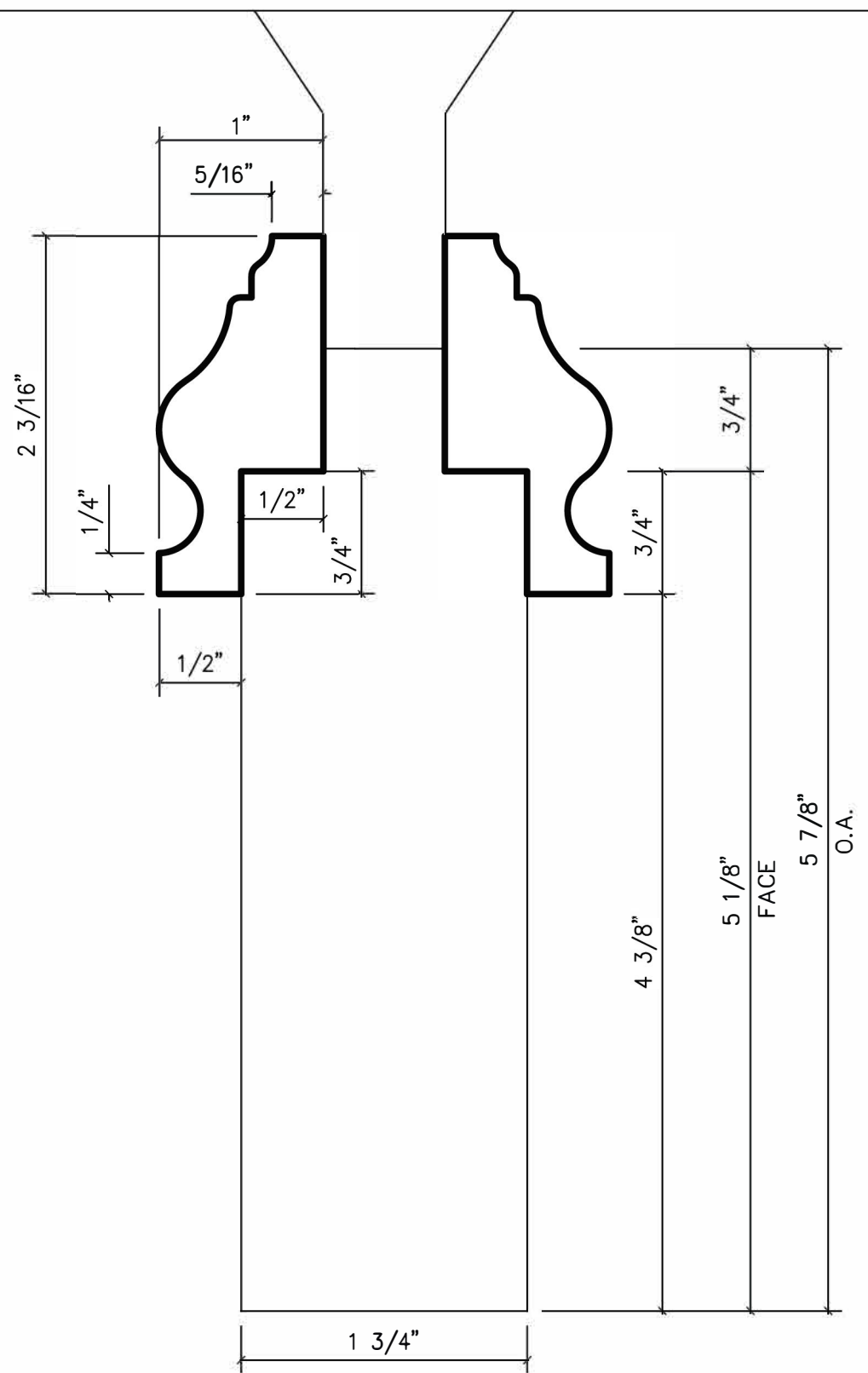
V-Groove



SNOOPY
MOULDING



LAFAYETTE
MOULDING



SHERWOOD
MOULDING

Project / Job Reference:

—



Product Line:

STANDARD PRODUCT LINE

CROSS SECTION

Approved By:

Date Approved:

Scale:

Drawings & Specifications contain confidential information that are the property of Cobb Custom Millwork Division and may not be reproduced or used without written permission by the Owner

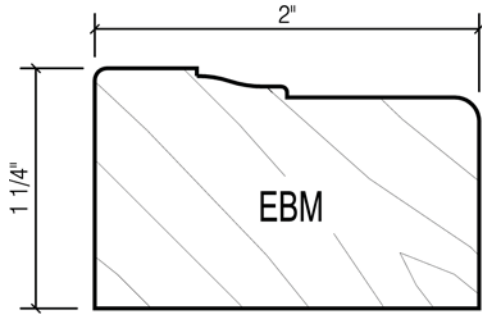
Drawn By: Boris Orellana

Date: 03/05/20

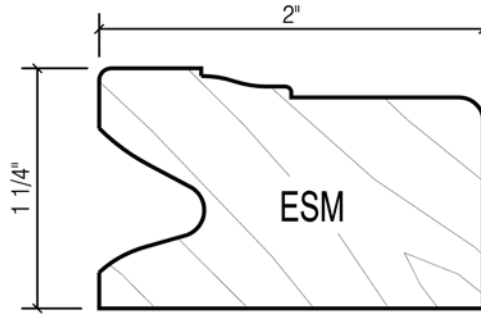
Directory: TMCobb\Moulding

File Name: P05998

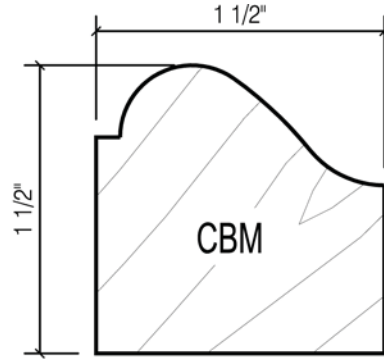




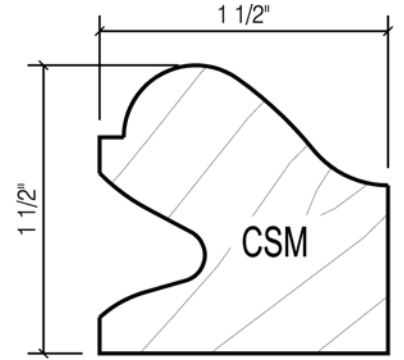
EASTERN BRICK MOULD



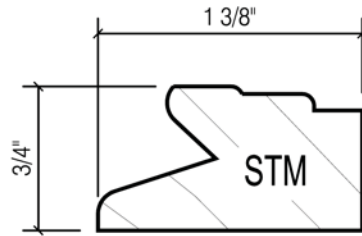
EASTERN STUCCO MOULD



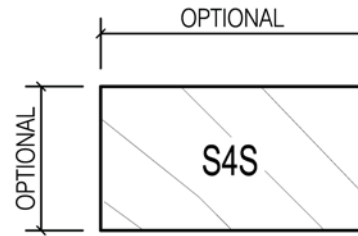
CALIFORNIA BRICK MOULD



CALIFORNIA STUCCO MOULD



STUCCO MOULD



SQUARE (FLAT ON 4 SIDES)



Drawings & Specifications contain confidential information that are the property of Cobb Custom Millwork Division and may not be reproduced or used without written permission by the Owner