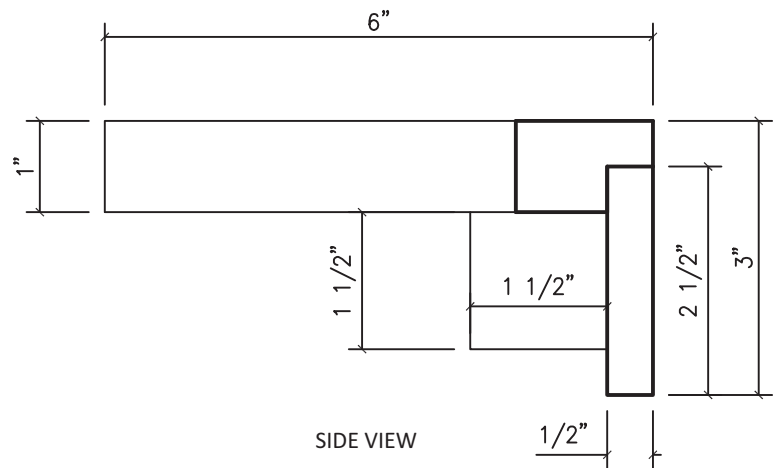
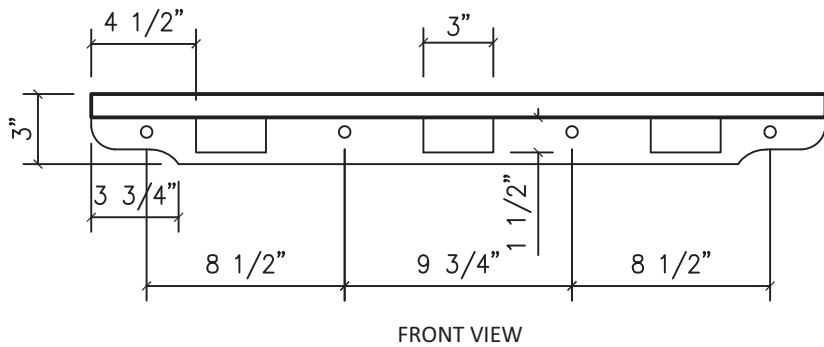
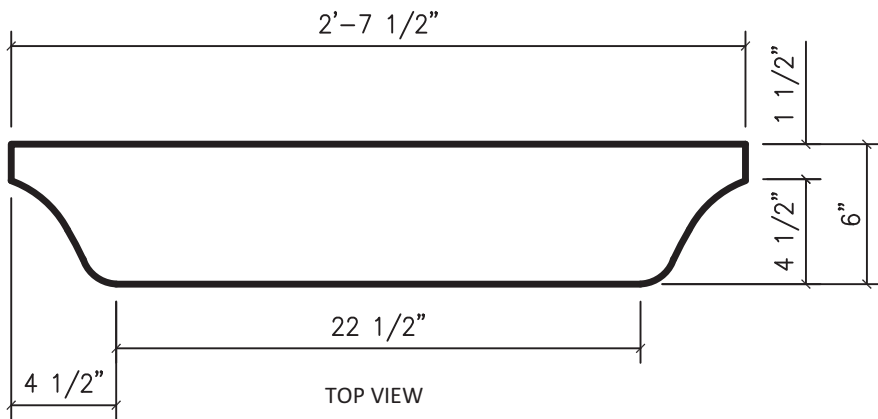


(FOR 2'8" DOOR)



Drawings & Specifications contain confidential information that are the property of T.M. Cobb Cobb Custom Division and may not be reproduced or used without written permission by the Owner

Project / Job Reference:

-

Product Line:

Approved By:

Date Approved:

Drawn By: Boris Orellana

Directory: TMCobb

Drawing Title:

Distribution Dutch Shelf for 2' 8"

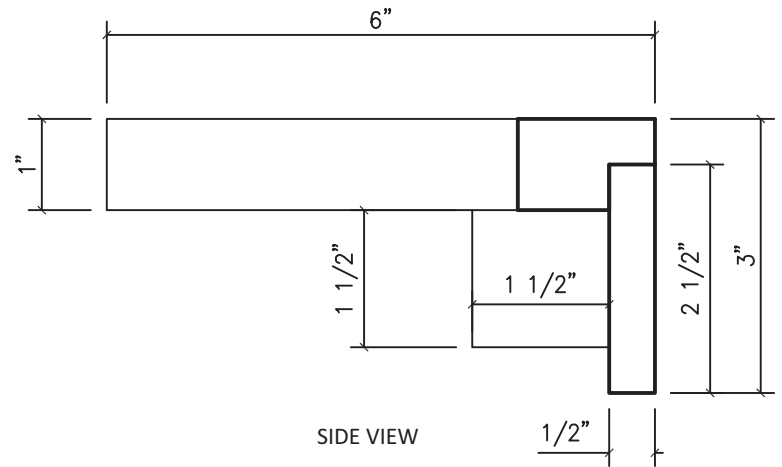
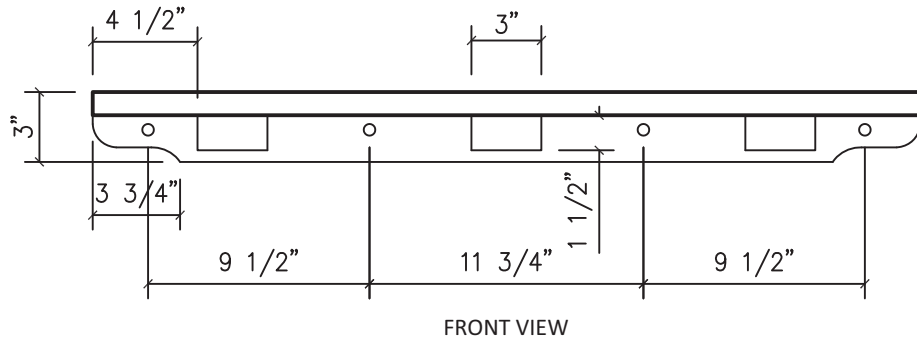
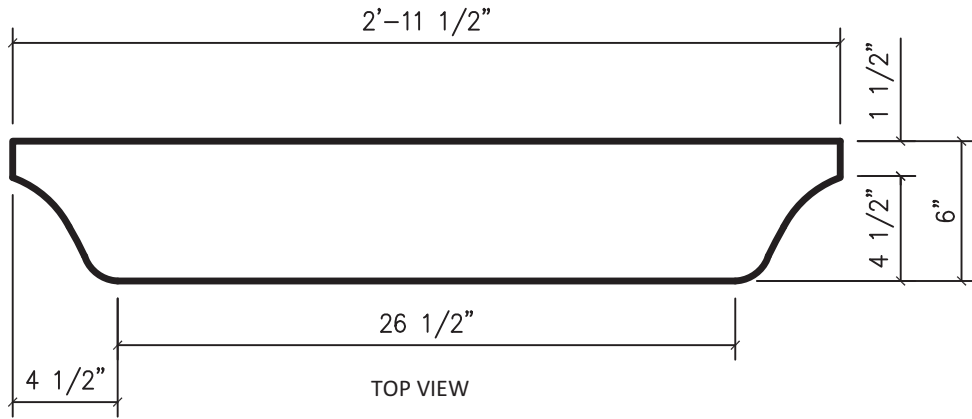
Scale: 1/2" = 1"

Date: 11/03/23

File Name: SHELF

-

(FOR 3'0" DOOR)



Drawings & Specifications contain confidential information that are the property of T.M. Cobb Cobb Custom Division and may not be reproduced or used without written permission by the Owner

Project / Job Reference:

-

Product Line:

Approved By:

Date Approved:

Drawn By: Boris Orellana

Directory: TMCobb

Drawing Title:

Distribution Dutch Shelf for 3' 0"

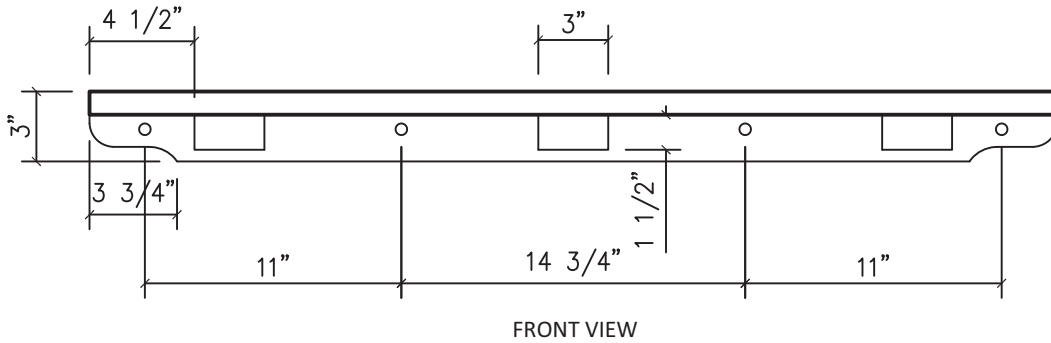
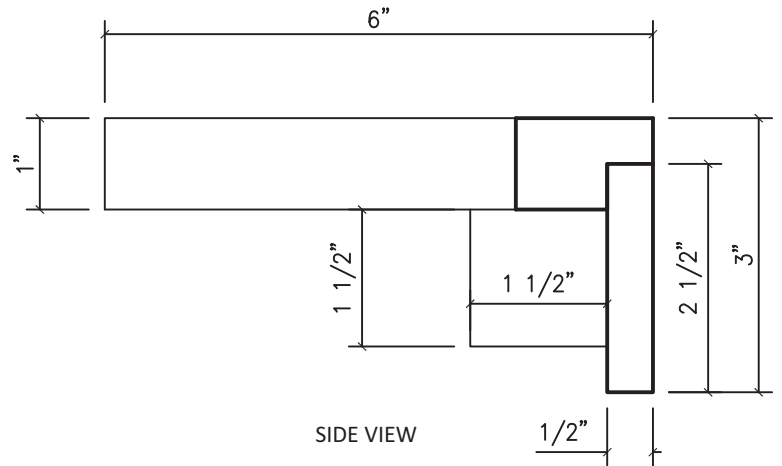
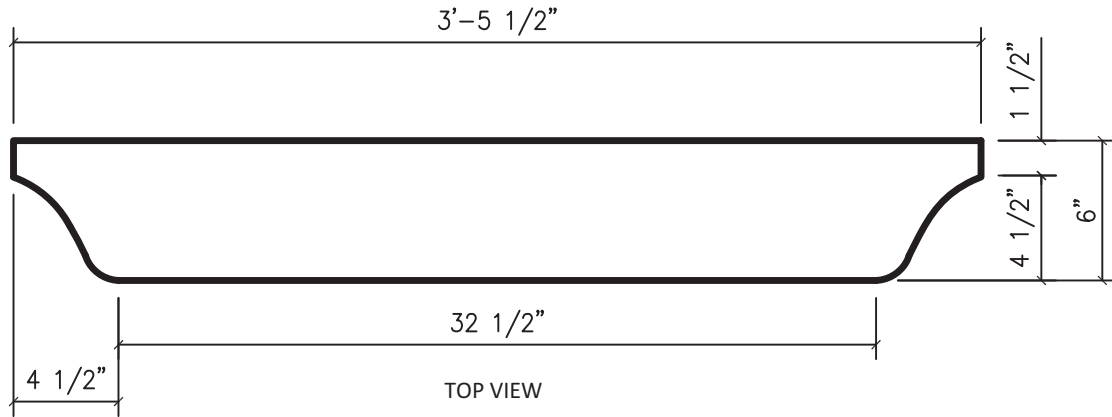
Scale: 1/2" = 1"

Date: 11/03/23

File Name: SHELF

-

(FOR 3'6" DOOR)



Drawings & Specifications contain confidential information that are the property of T.M. Cobb Cobb Custom Division and may not be reproduced or used without written permission by the Owner

Project / Job Reference:

-

Product Line:

Approved By:

Date Approved:

Drawn By: Boris Orellana

Directory: TMCobb

Drawing Title:

Distribution Dutch Shelf for 3' 6"

Scale: 1/2" = 1"

Date: 11/03/23

File Name: SHELF

-

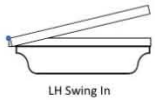
Installation

- ❑ Predrill Pilot holes, then glue (not provided).
- ❑ Insert Dry wall screws and wooden Plugs (provided).

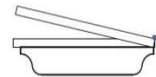


New Dutch Door Shelf ships loose.
 Shelf goes to the exterior.
 Bore 5" down to accommodate shelf.
 3/0 doors use a 2-10 shelf and 2/8 doors use a 2-6 shelf.
 For different sizes call for quote.

Dutch Door HANDING



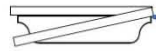
LH Swing In



RH Swing In



RH Swing Out



LH Swing Out



Please specify Swing-In or Swing-Out.



Standard



Optional Q-Lon
(Specify White or Bronze)

Aline shelf even with bottom half of Dutch Door.

