

Project / Job Reference:

-



Product Line:

SERVERY WINDOW

Drawing Title:

ELEVATION VIEW

Approved By:

Date Approved:

Scale:

FULL

Work Order

Drawings & Specifications contain confidential information that are the property of T.M. Cobb Millwork Division and may not be reproduced or used without written permission by the Owner

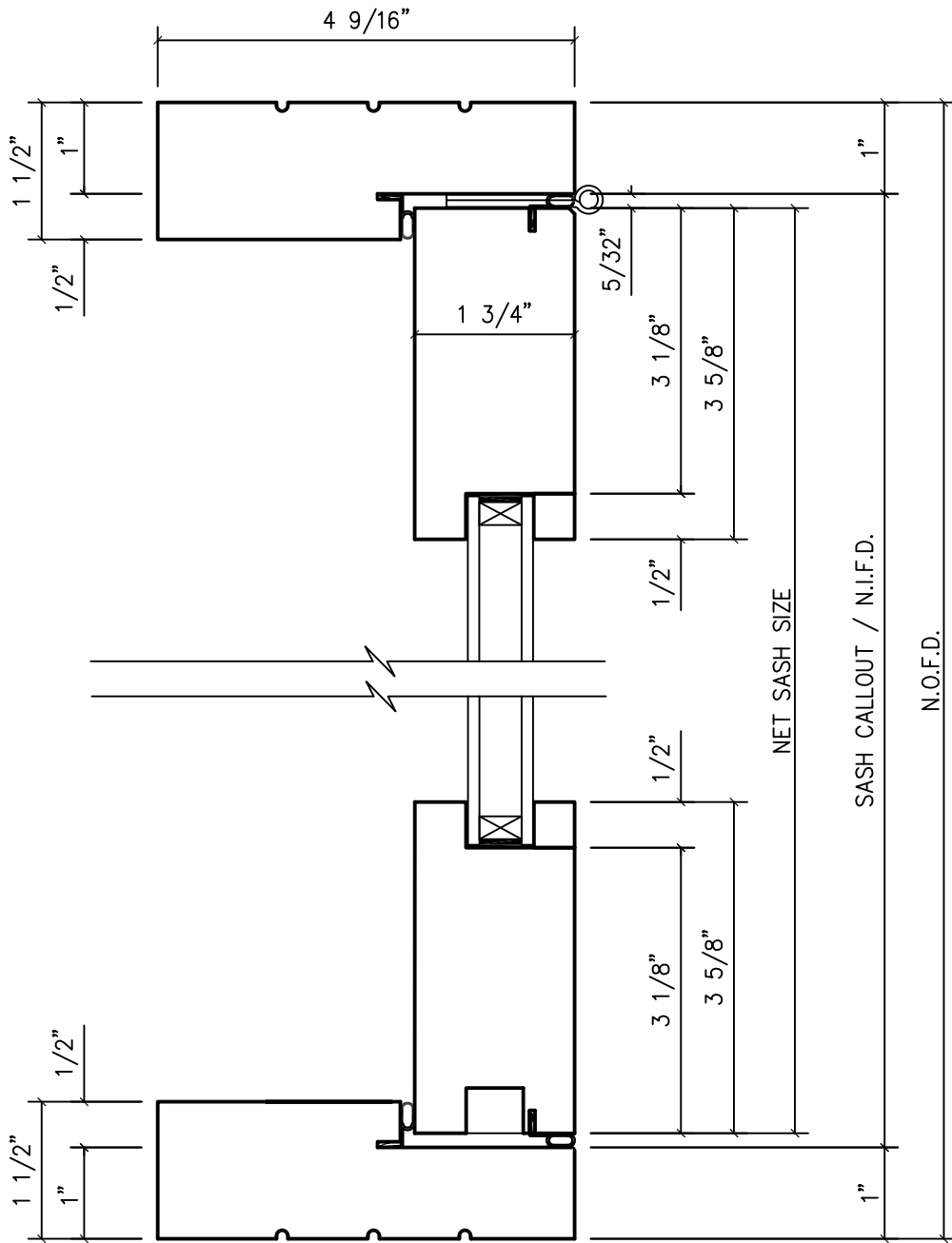
Drawn By: Boris Orellana

Date: 04/03/23

A1

Directory: TMCobb\Orders

File Name: SERVERY WINDOW



Project / Job Reference:



Product Line:

SERVERY WINDOW

Drawing Title:

VERTICAL SECTION

Approved By:

Date Approved:

Scale:

FULL

Work Order

Drawings & Specifications contain confidential information that are the property of T.M. Cobb Millwork Division and may not be reproduced or used without written permission by the Owner

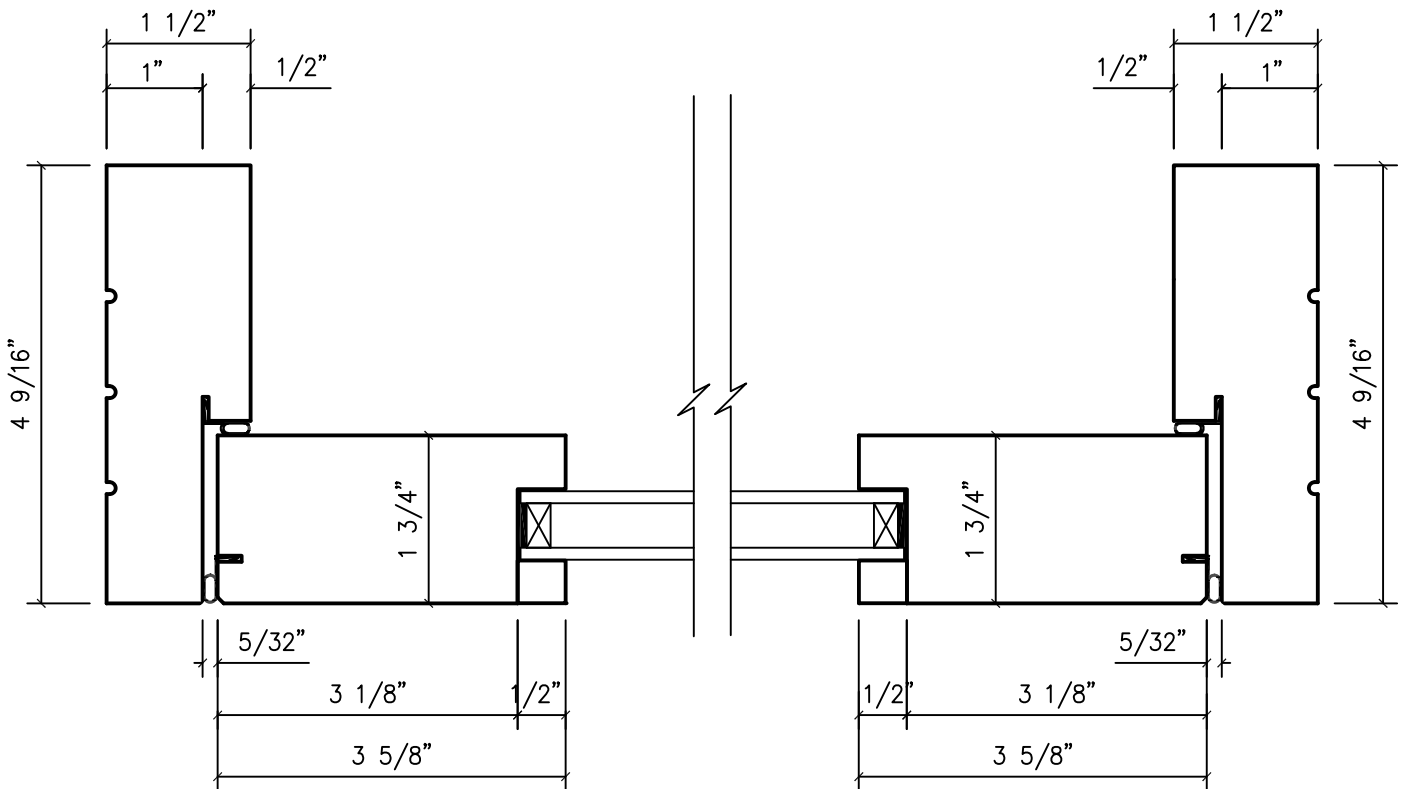
Drawn By: Boris Orellana

Date: 04/03/23

A1

Directory: TMCobb\Orders

File Name: SERVERY WINDOW



Project / Job Reference:



Product Line:

SERVERY WINDOW

Drawing Title:

HORIZONTAL SECTION

Approved By:

Date Approved:

Scale:

FULL

Work Order

Drawings & Specifications contain confidential information that are the property of T.M. Cobb Millwork Division and may not be reproduced or used without written permission by the Owner

Drawn By: Boris Orellana

Date: 04/03/23

A1

Directory: TMCobb\Orders

File Name: SERVERY WINDOW