

Project / Job Reference:



Product Line:

SERVERY WINDOW

Drawing Title:

ELEVATION VIEW

Approved By:

Date Approved:

Scale:

FULL

Work Order

Drawings & Specifications contain confidential information that are the property of T.M. Cobb Millwork Division and may not be reproduced or used without written permission by the Owner

Drawn By:

Boris Orellana

Date:

04/03/23

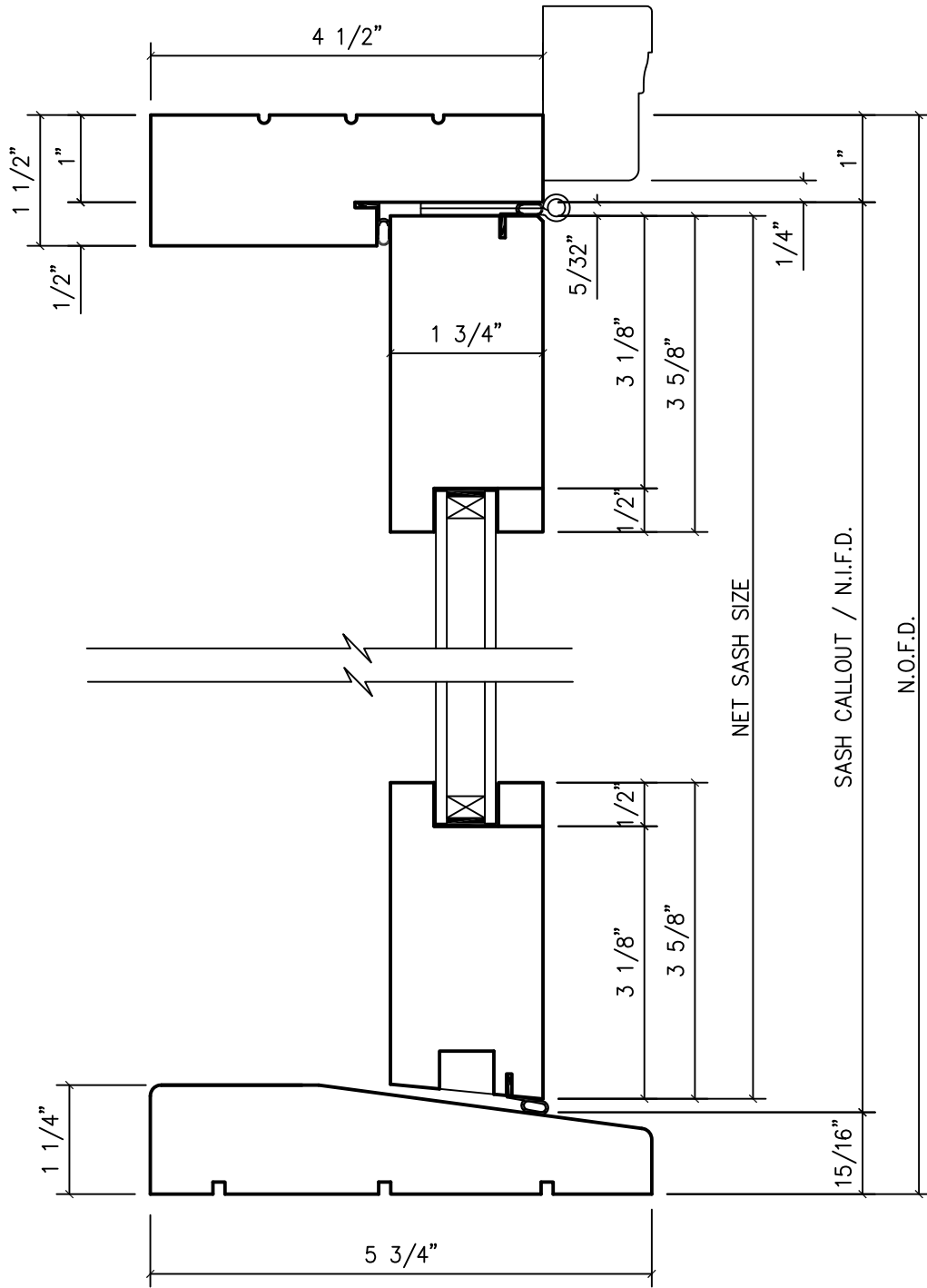
Directory:

TMCobb\Orders

File Name:

SERVERY WINDOW

A1



Project / Job Reference:



Product Line: SERVERY WINDOW

Drawing Title: HEAD / SILL SECTION

Approved By:

Date Approved:

Scale: FULL

Work Order

Drawings & Specifications contain confidential information that are the property of T.M. Cobb Millwork Division and may not be reproduced or used without written permission by the Owner

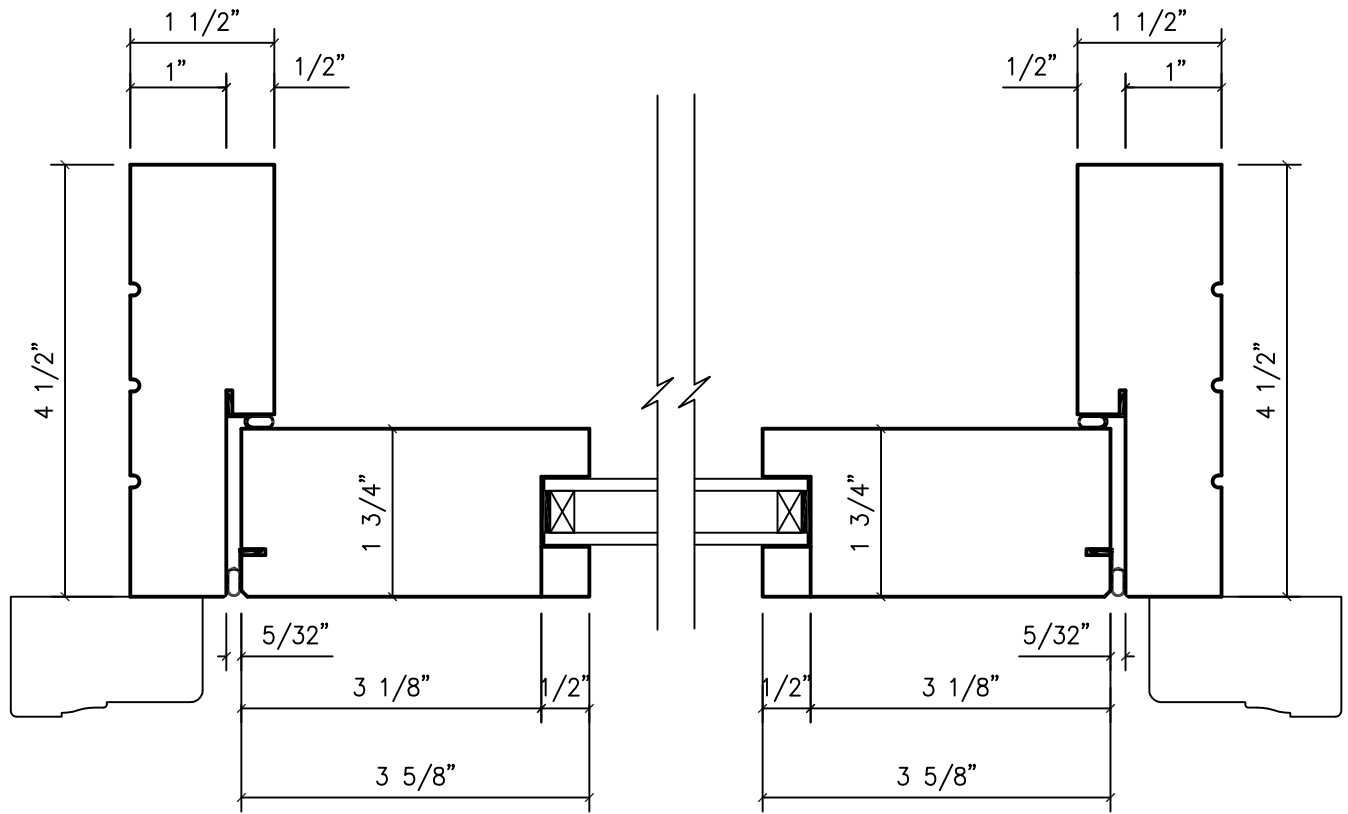
Drawn By: Boris Orellana

Date: 04/03/23

A1

Directory: TMCobb\Orders

File Name: SERVERY WINDOW



Project / Job Reference:



Product Line:

SERVERY WINDOW

Drawing Title:

HEAD / SILL SECTION

Approved By:

Date Approved:

Scale:

FULL

Work Order

Drawings & Specifications contain confidential information that are the property of T.M. Cobb Millwork Division and may not be reproduced or used without written permission by the Owner

Drawn By: Boris Orellana

Date:

04/03/23

Directory: TMCobb\Orders

File Name:

SERVERY WINDOW

A1