
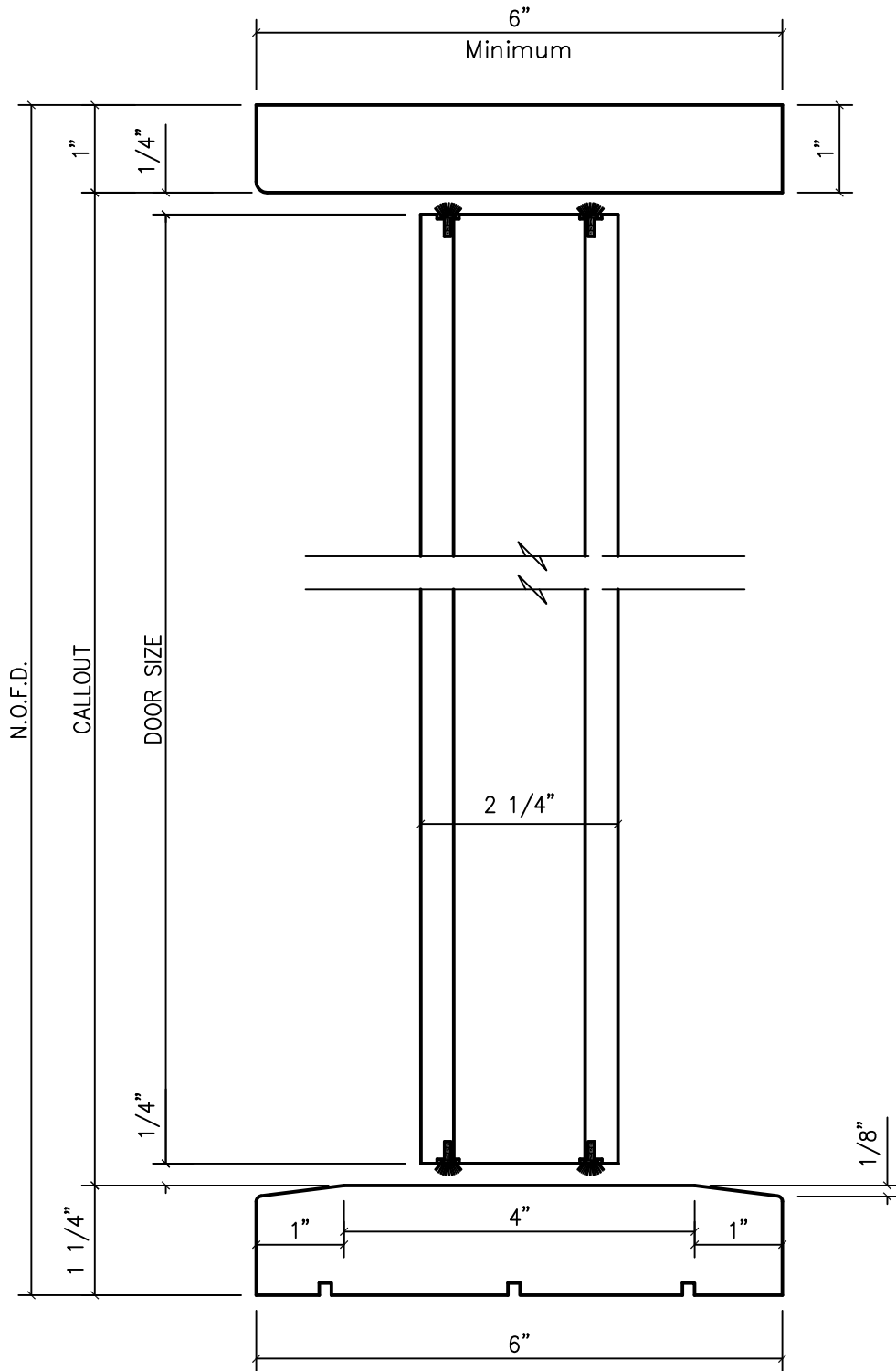



NOTE: Door to be 5/16" Under size of the Frame Opening

| | | | |
|---|--------------------------|--|-----------------|
| Project / Job Reference: Standard Product Line | |  | |
| Product Line: PIVOT DOOR | | Drawing Title: HORIZONTAL SECTION | |
| Approved By: | Date Approved: | Scale: 3/4" = 1'-0" | Work Order - |
| Drawings & Specifications contain confidential information that are the property of T.M. Cobb Millwork Division and may not be reproduced or used without written permission by the Owner | Drawn By: Boris Orellana | Date: 03/01/21 | |
| | Directory: TMCobb\Orders | File Name: PIVOT DOOR | |



| | | | |
|---|--------------------------|--|-----------------|
| Project / Job Reference: Standard Product Line | |  | |
| Product Line: PIVOT DOOR | | Drawing Title: VERTICAL SECTION | |
| Approved By: | Date Approved: | Scale: 3/4" = 1'-0" | Work Order — |
| Drawings & Specifications contain confidential information that are the property of T.M. Cobb Millwork Division and may not be reproduced or used without written permission by the Owner | Drawn By: Boris Orellana | Date: 03/01/21 | |
| | Directory: TMCobb\Orders | File Name: PIVOT DOOR | |