

**T.M. COBB**

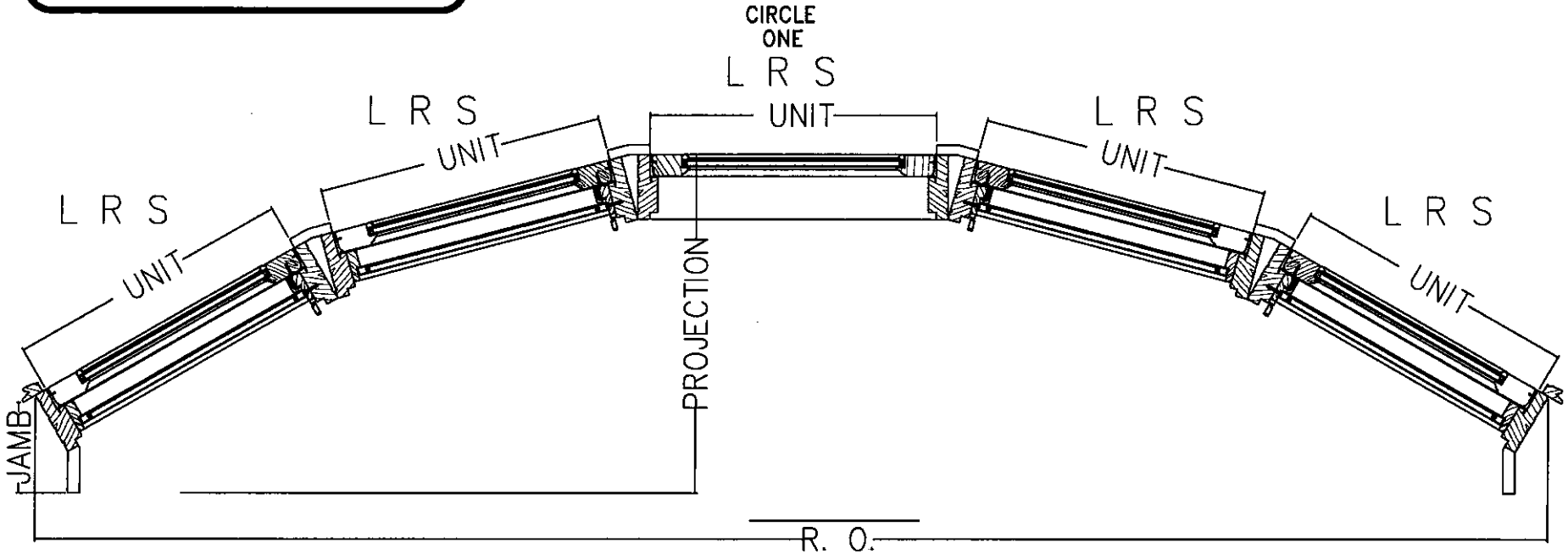
**MILLWORK DIVISION**

DOORS • WINDOWS • MILLWORK

*The Professional Builders Choice*

*Supplier of Quality Building Materials Since 1935.*

# BOW UNIT MEASUREMENT FORM



HEIGHT \_\_\_\_\_

# UNITS \_\_\_\_\_

PROJECTION \_\_\_\_\_

DOUBLE HUNG

CASEMENT

CIRCLE ONE  L = LEFT  
 R = RIGHT  
 S = STATIONARY

AS DETERMINED FOR EXTERIOR VIEW

CHECK ONLY ONE

HEAD & SEAT BOARD

HEAD BOARD ONLY

SEAT BOARD ONLY

NO HEAD & SEAT BOARD