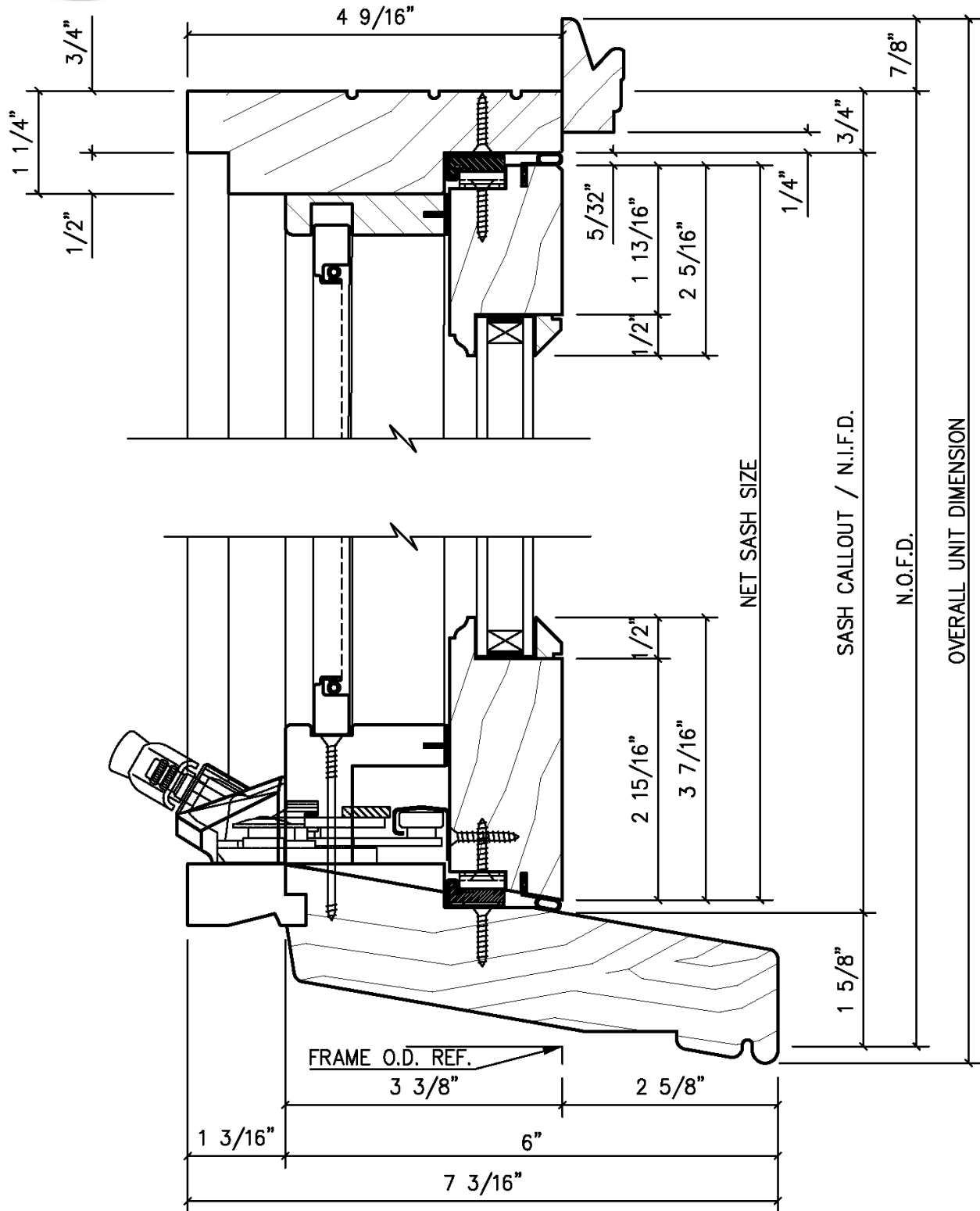




CASEMENT SWING OUT VERTICAL SECTION

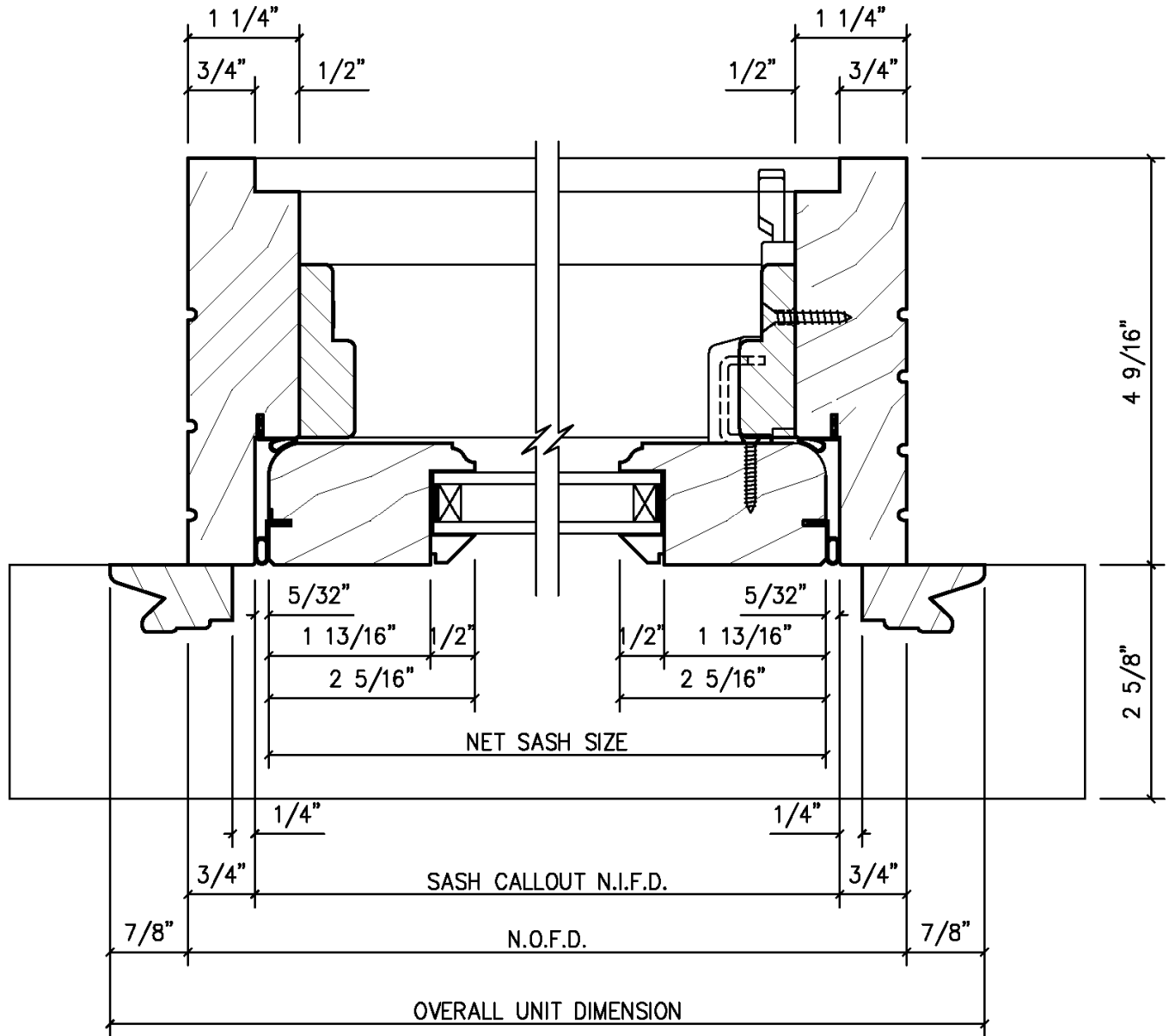


Drawings & Specifications contain confidential information that are the property of T.M. Cobb Millwork Division and may not be reproduced or used without written permission by the Owner



CASEMENT SWING OUT

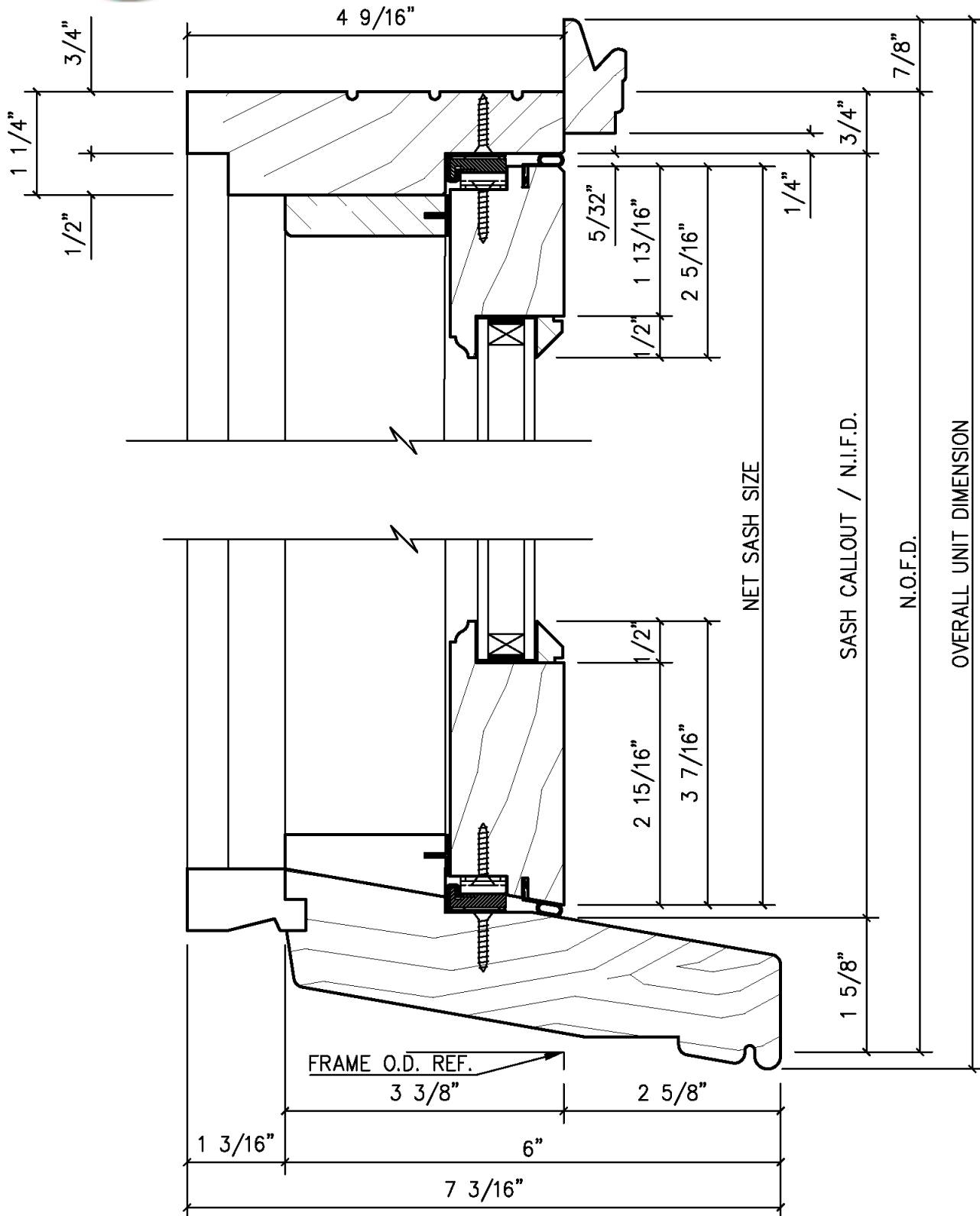
HORIZONTAL SECTION



Drawings & Specifications contain confidential information that are the property of T.M. Cobb Millwork Division and may not be reproduced or used without written permission by the Owner



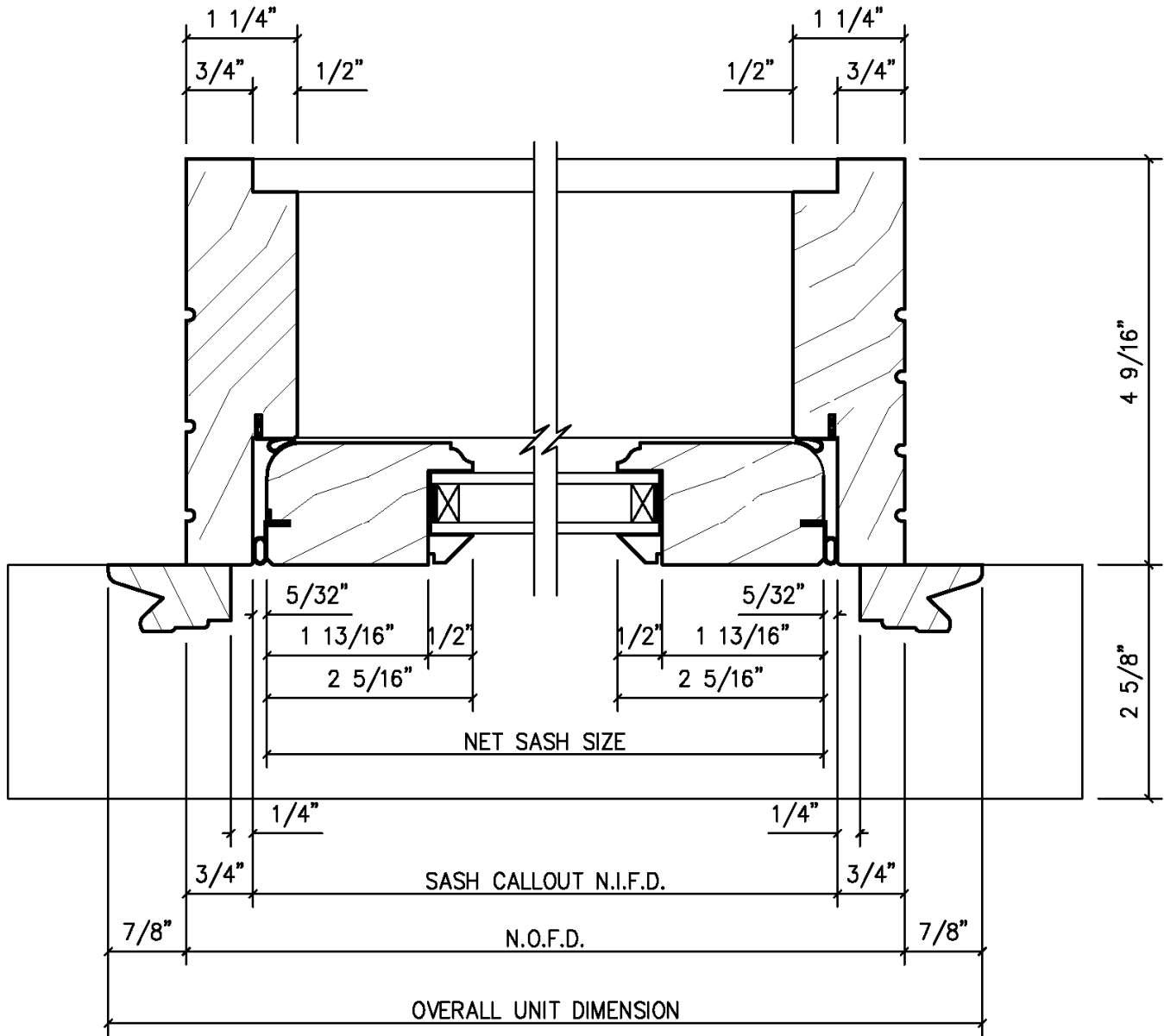
CASEMENT PUSH OUT VERTICAL SECTION



Drawings & Specifications contain confidential information that are the property of T.M. Cobb Millwork Division and may not be reproduced or used without written permission by the Owner



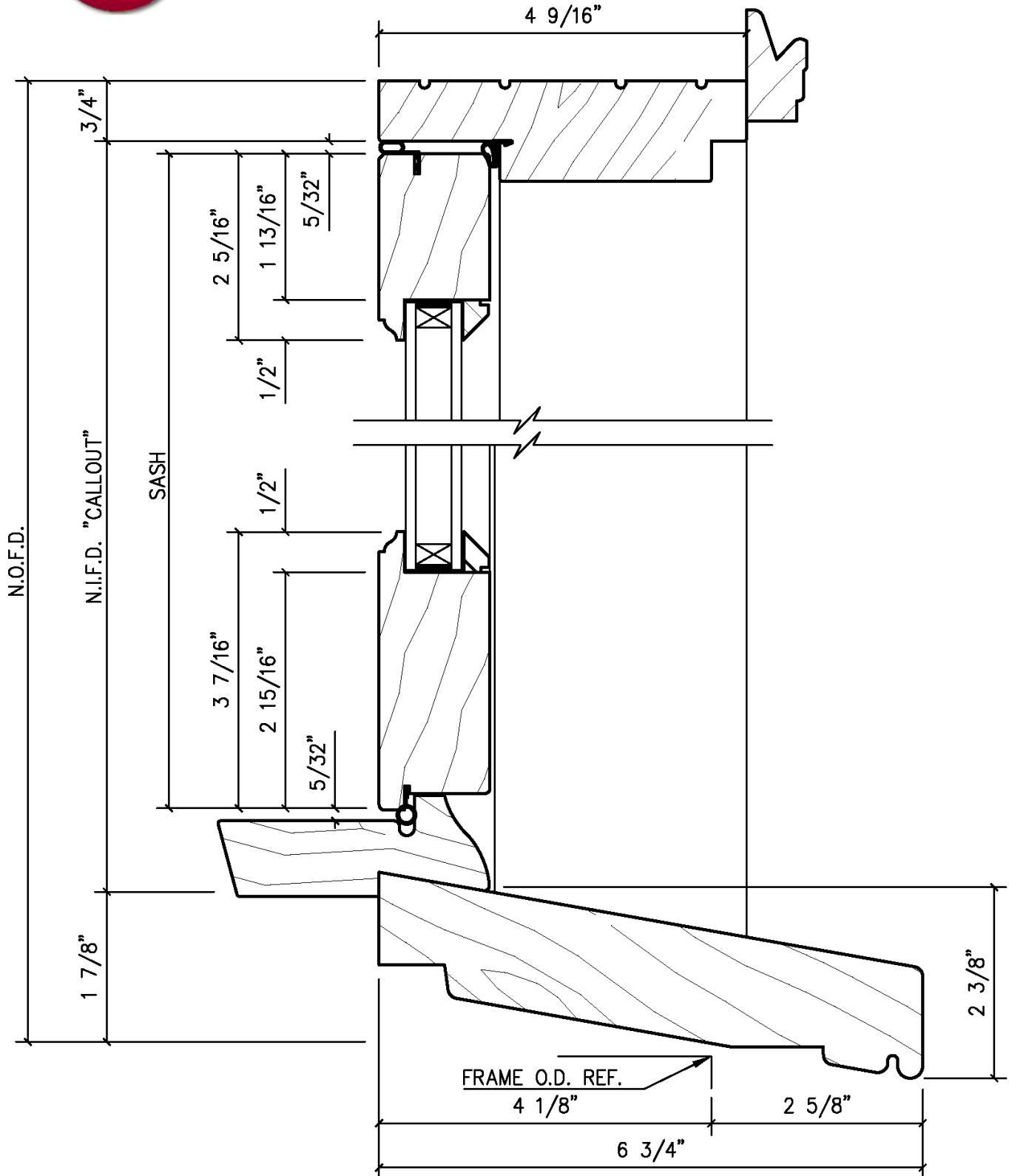
CASEMENT PUSH OUT HORIZONTAL SECTION



Drawings & Specifications contain confidential information that are the property of T.M. Cobb Millwork Division and may not be reproduced or used without written permission by the Owner



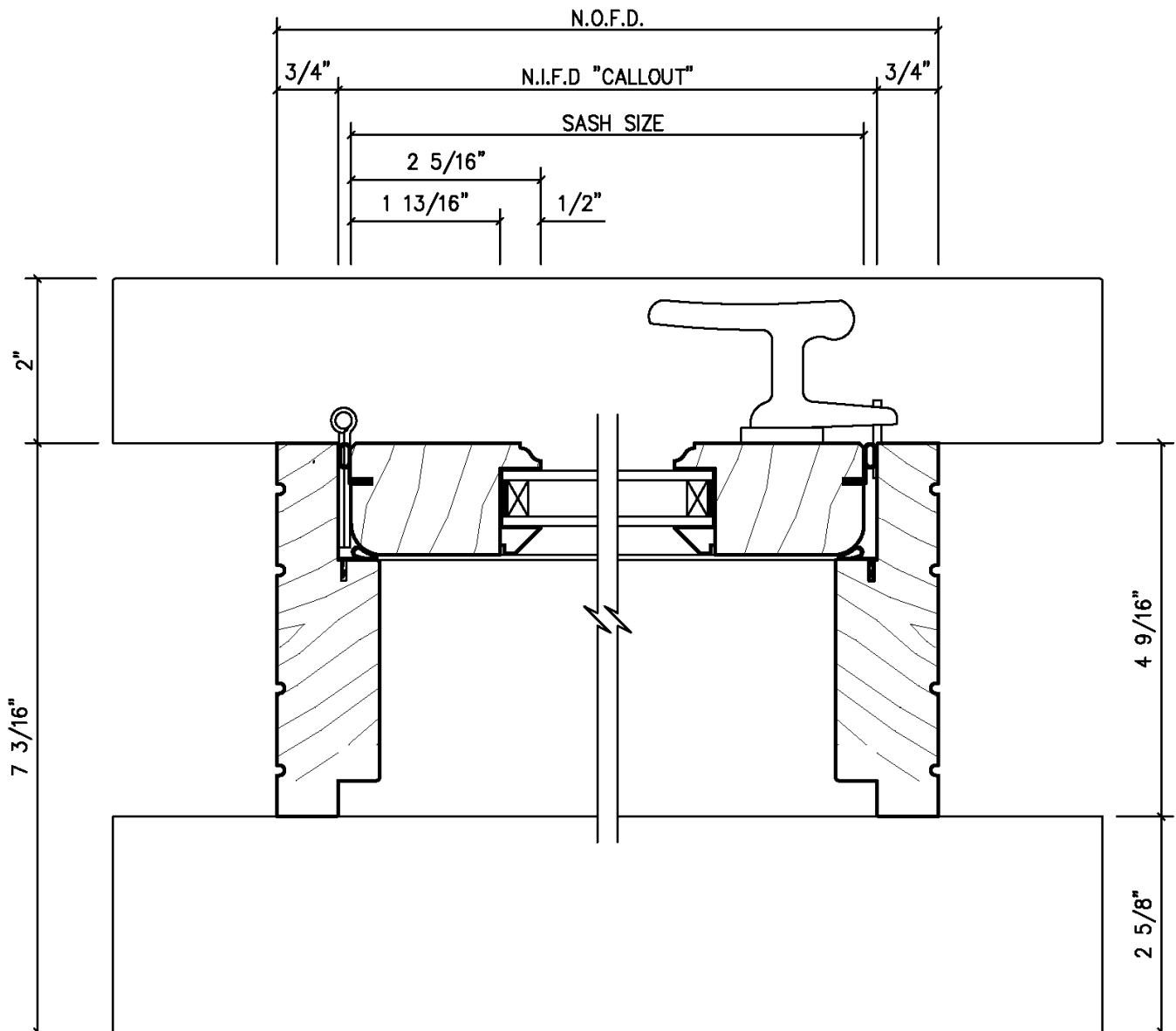
CASEMENT SWING IN VERTICAL SECTION



Drawings & Specifications contain confidential information that are the property of T.M. Cobb Millwork Division and may not be reproduced or used without written permission by the Owner



CASEMENT SWING IN HORIZONTAL SECTION



Drawings & Specifications contain confidential information that are the property of T.M. Cobb Millwork Division and may not be reproduced or used without written permission by the Owner