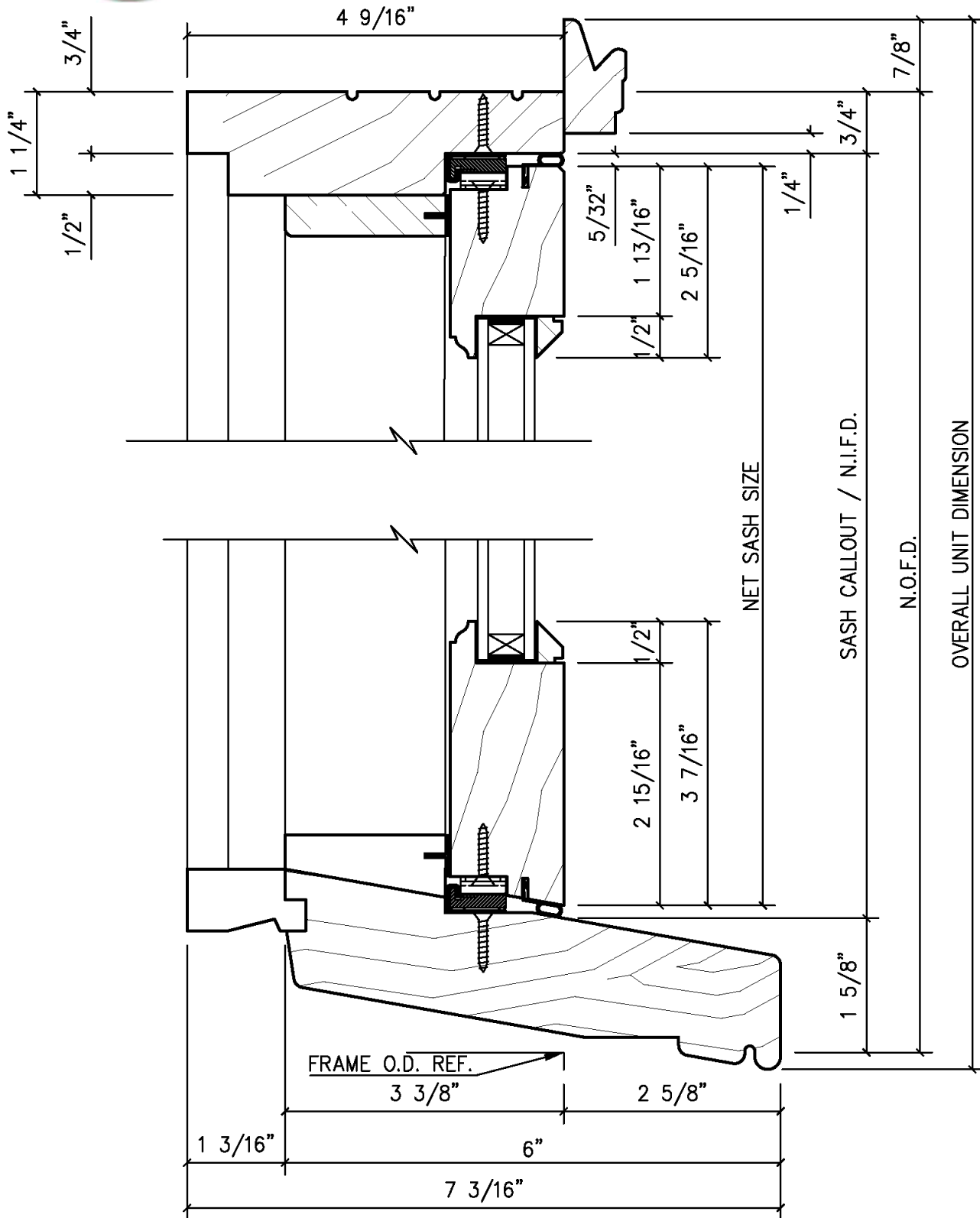




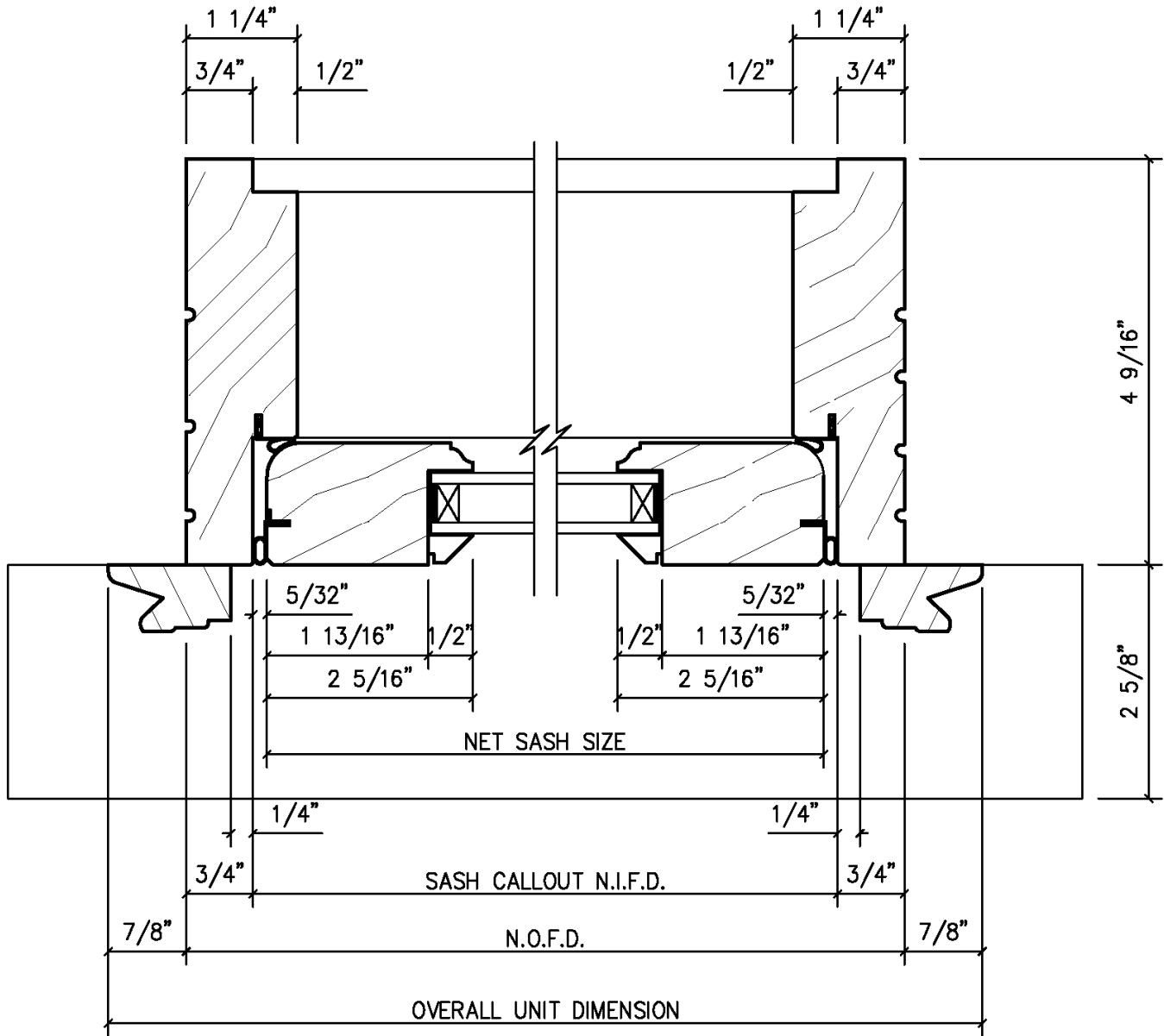
CASEMENT PUSH OUT VERTICAL SECTION



Drawings & Specifications contain confidential information that are the property of T.M. Cobb Millwork Division and may not be reproduced or used without written permission by the Owner



CASEMENT PUSH OUT HORIZONTAL SECTION



Drawings & Specifications contain confidential information that are the property of T.M. Cobb Millwork Division and may not be reproduced or used without written permission by the Owner