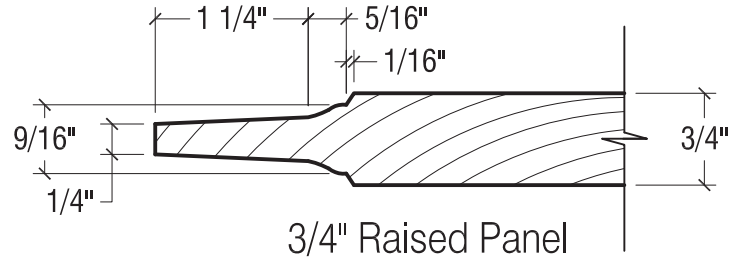


1/4" Flat Panel*

*Used on 1 3/8" doors

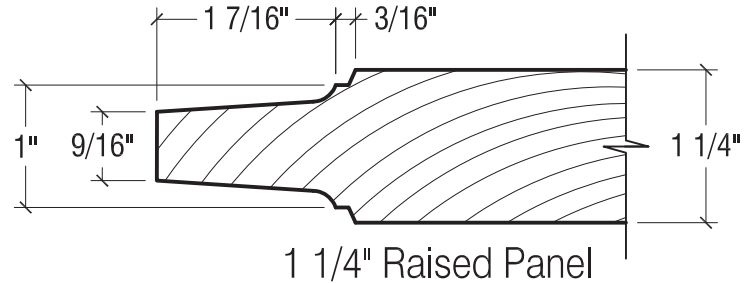


3/4" Raised Panel

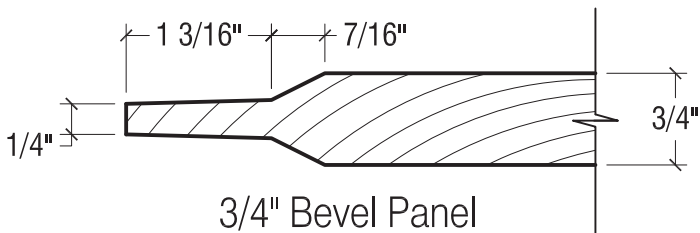


3/4" Flat Panel*

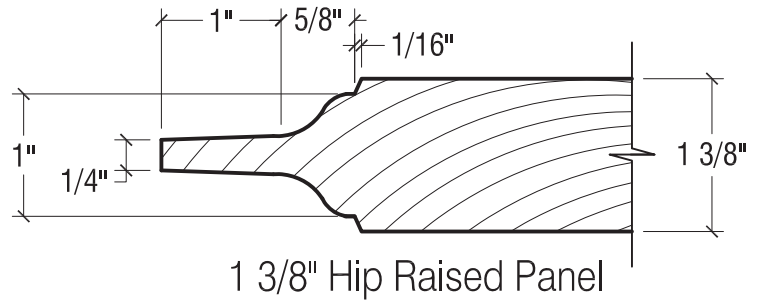
*Used on 1 3/4" doors



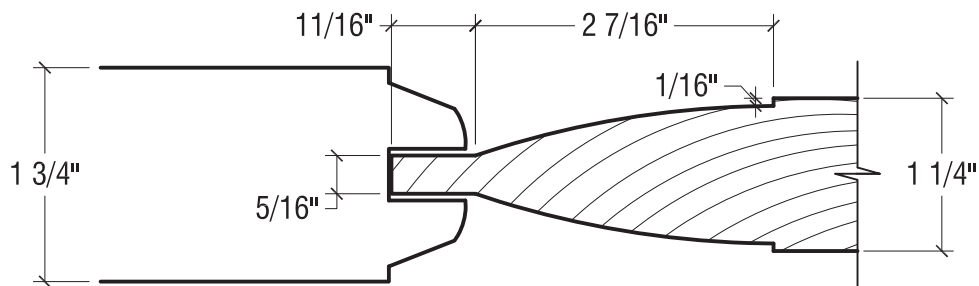
1 1/4" Raised Panel



3/4" Bevel Panel



1 3/8" Hip Raised Panel



1 1/4" Aspen Raised Panel
with P&G Sticking

Drawings & Specifications contain confidential information that are the property of T.M. Cobb Millwork Division and may not be reproduced or used without written permission by the Owner.