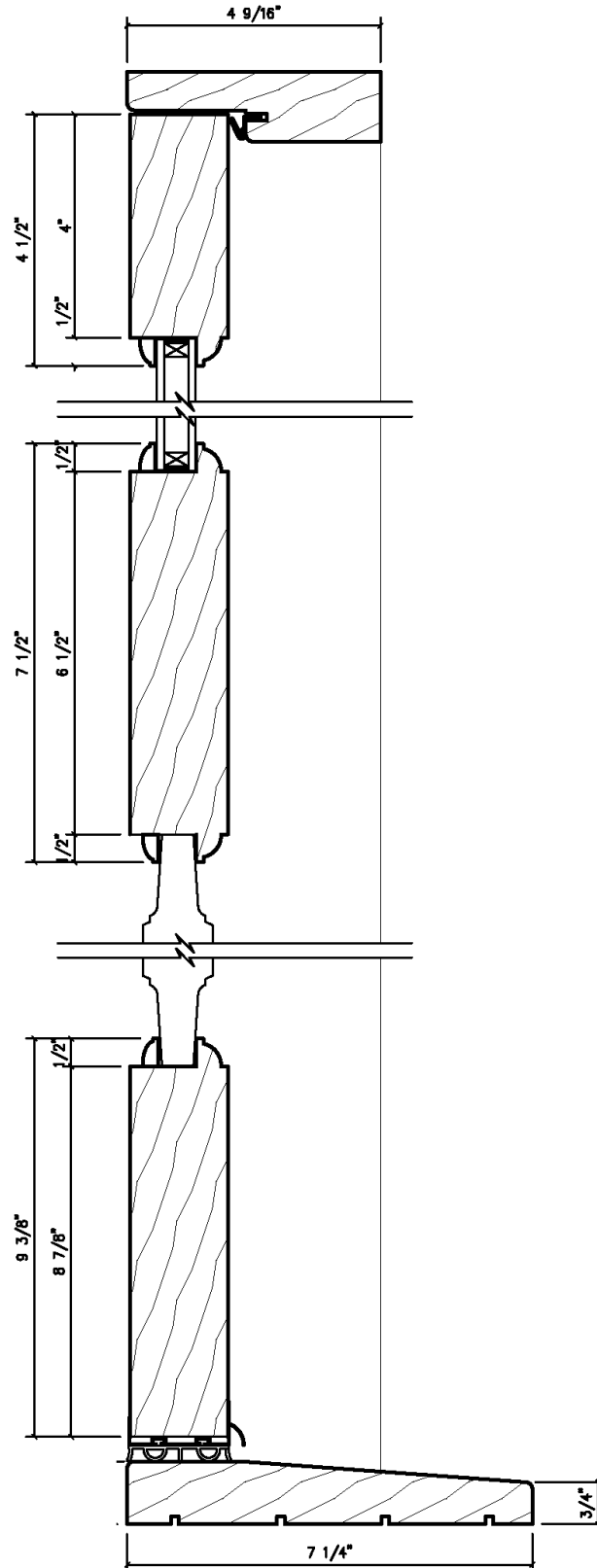




DOOR - SWING IN

VERTICAL SECTION

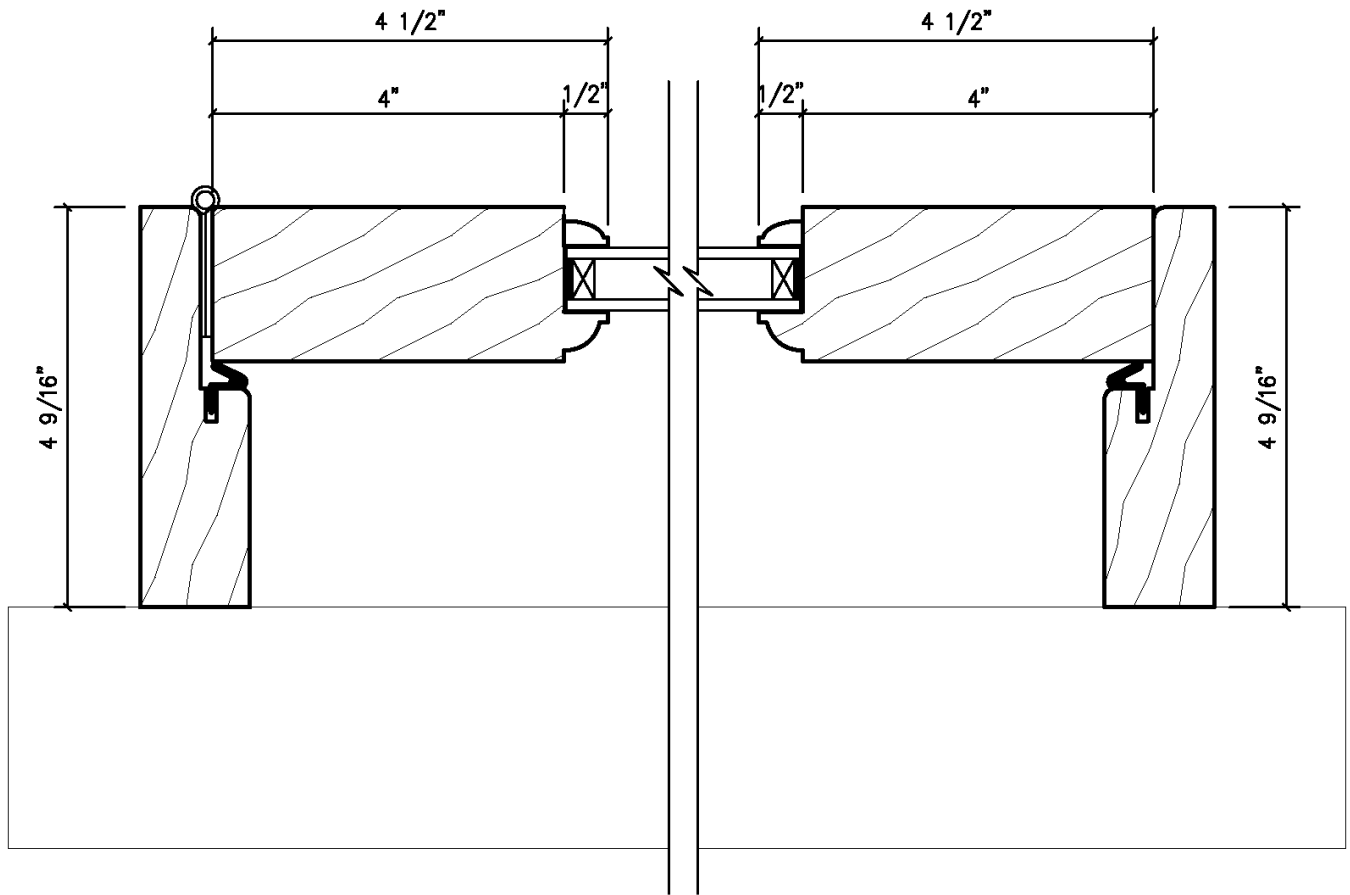


Drawings & Specifications contain confidential information that are the property of T.M. Cobb Millwork Division and may not be reproduced or used without written permission by the Owner



DOOR - SWING IN

HORIZONTAL SECTION

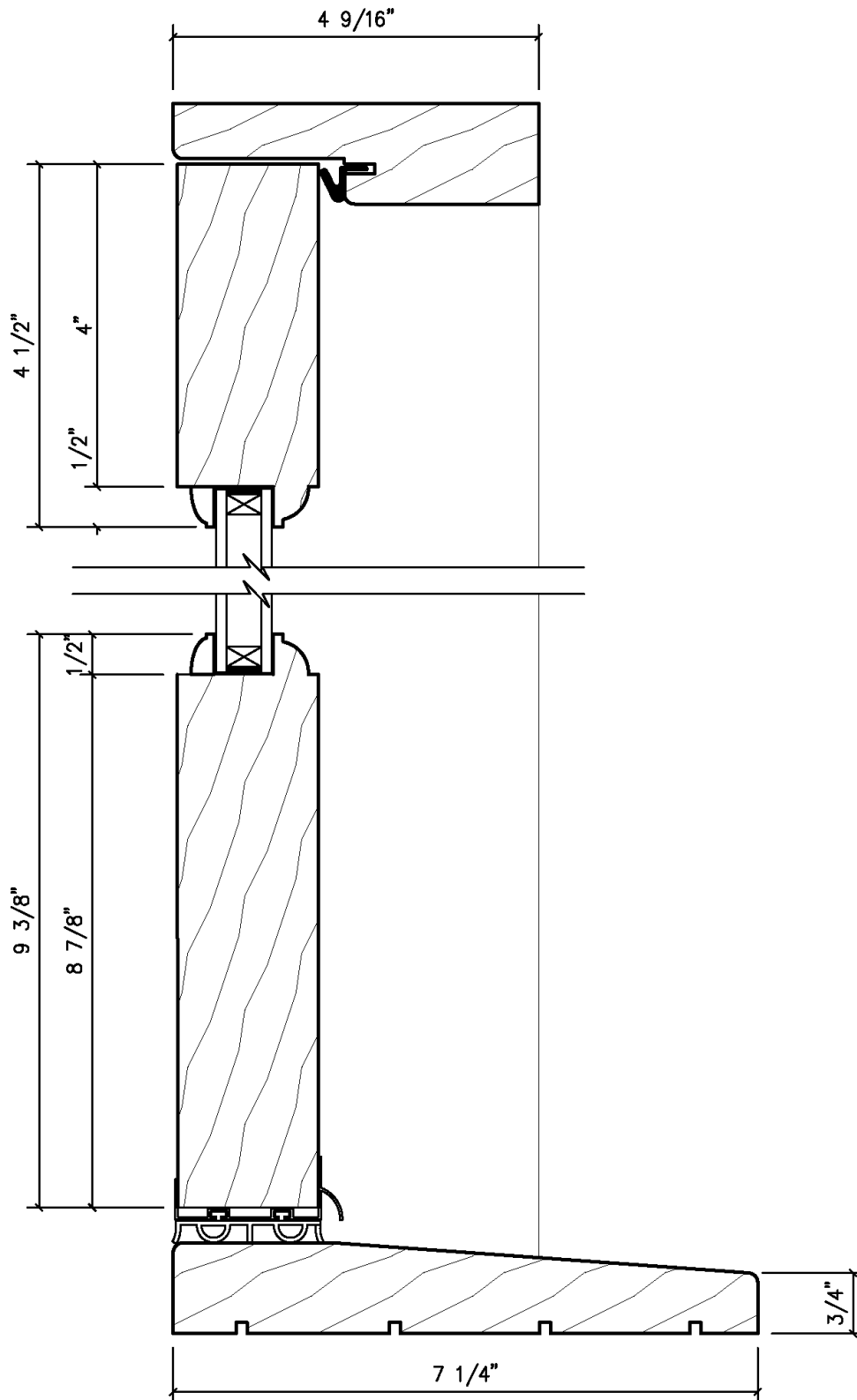


Drawings & Specifications contain confidential information that are the property of T.M. Cobb Millwork Division and may not be reproduced or used without written permission by the Owner



FRENCH DOOR

VERTICAL SECTION

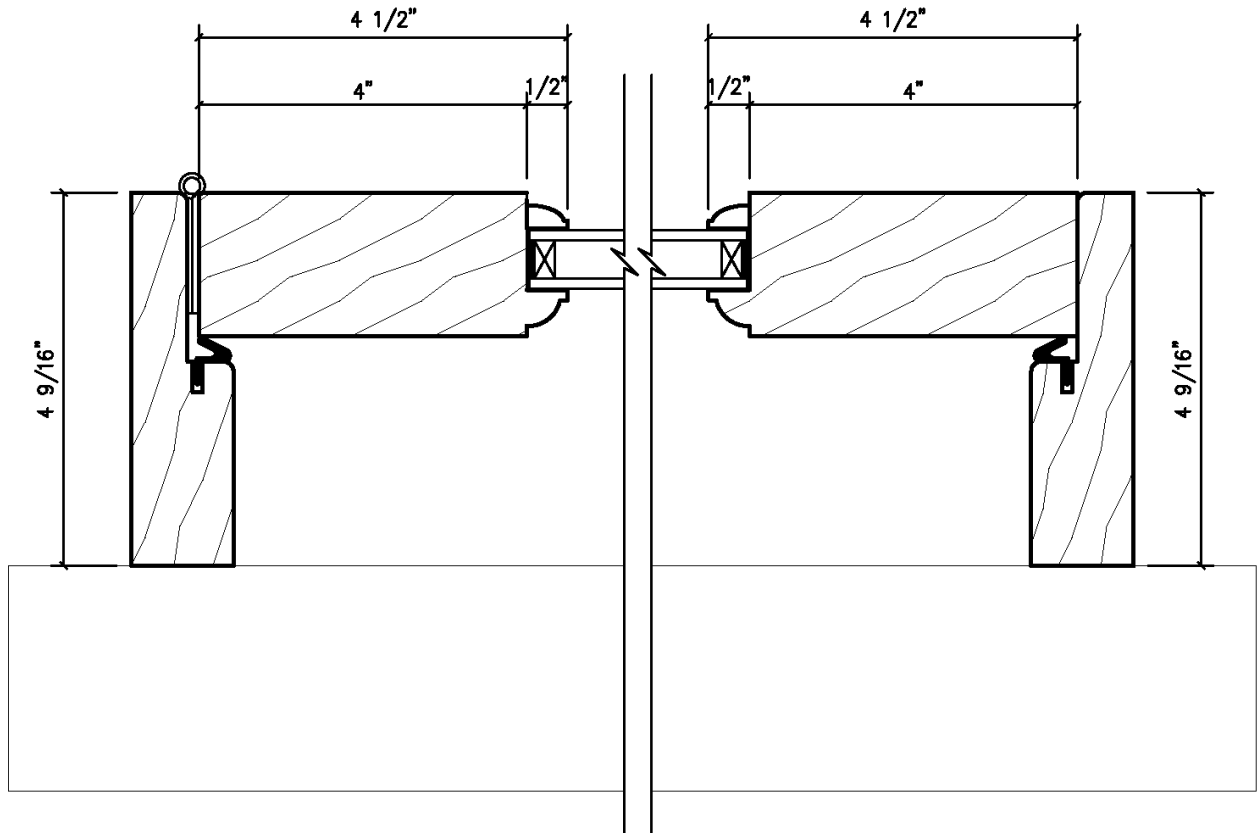


Drawings & Specifications contain confidential information that are the property of T.M. Cobb Millwork Division and may not be reproduced or used without written permission by the Owner



FRENCH DOOR

HORIZONTAL SECTION



Drawings & Specifications contain confidential information that are the property of T.M. Cobb Millwork Division and may not be reproduced or used without written permission by the Owner